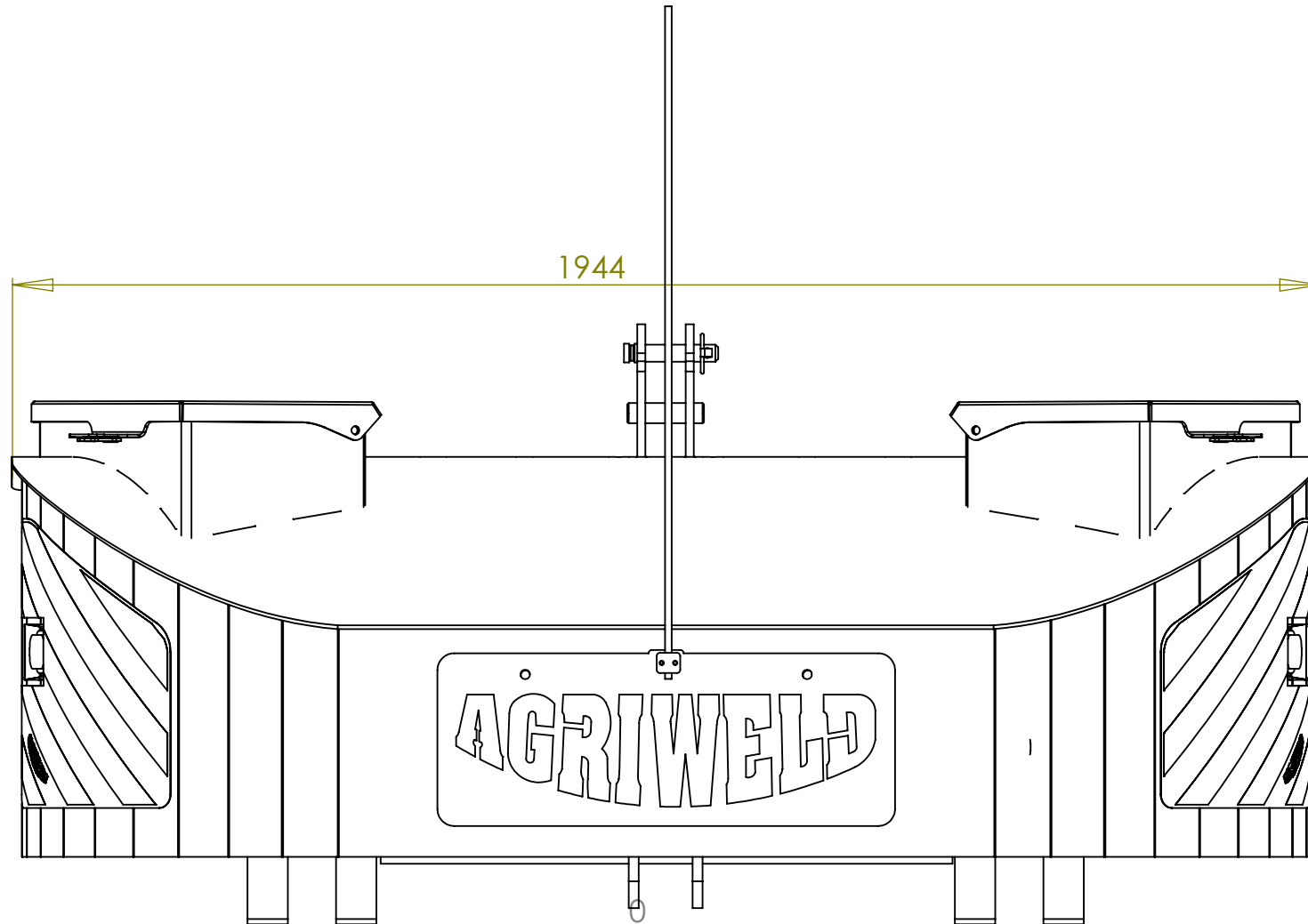
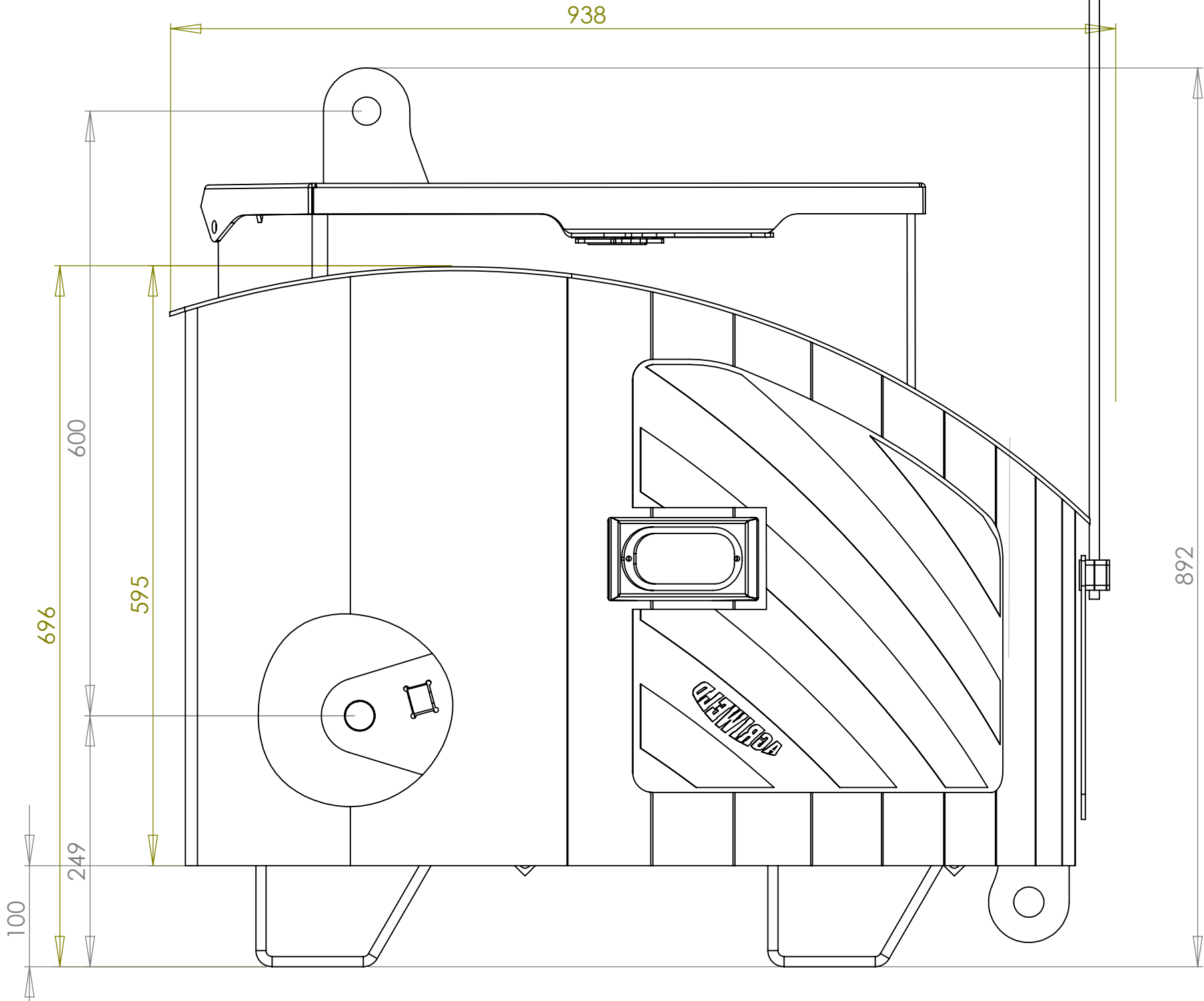


Standard 1000kg - 1500kg with Twin toolbox





Twin toolbox

