

1 2 3 4 5 6

A

A

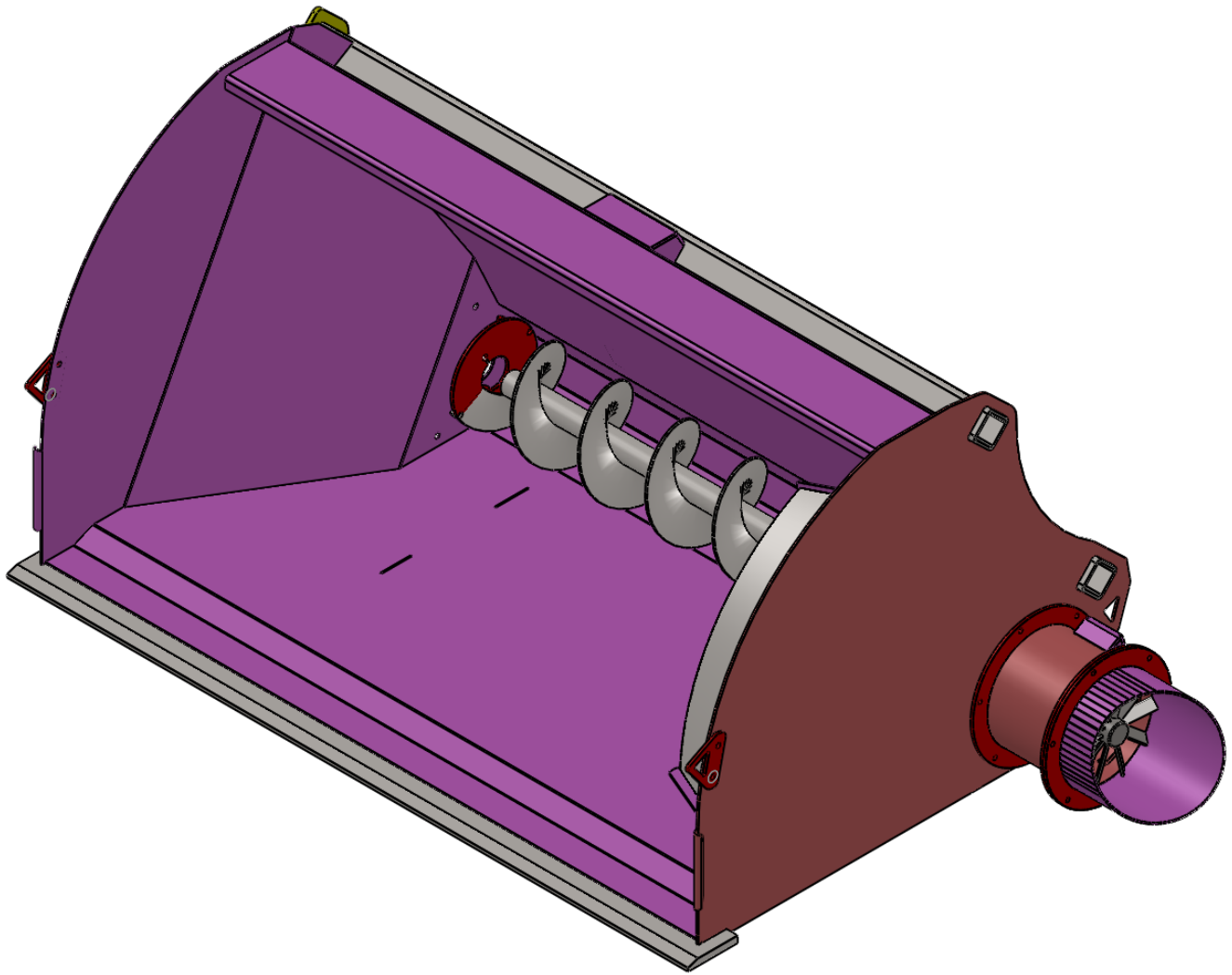
B

B

C

C

D



MFG _____
 Q.A _____ MATERIAL: _____

DD_RB_10_inch_2017 74

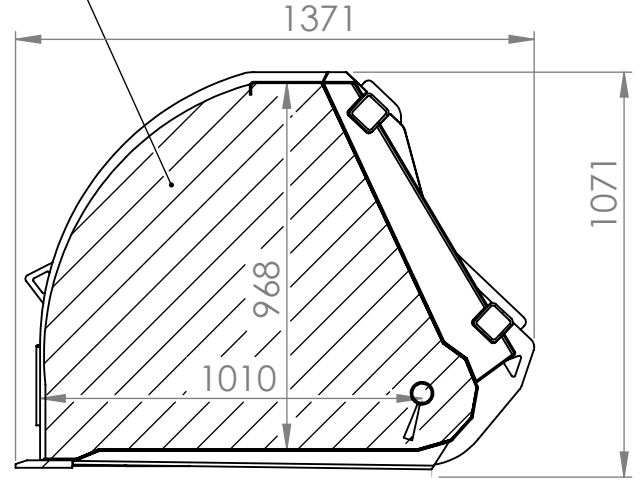
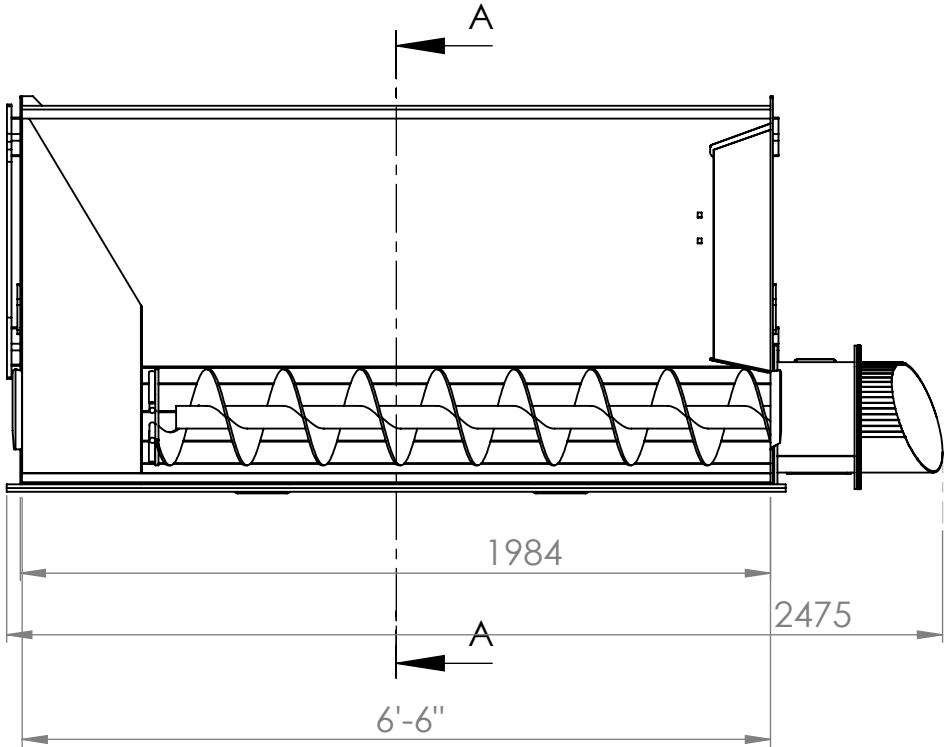
1 2 WEIGHT: SCALE:1:50 SHEET 1 OF 2

1 2 3 4 5 6

A

A

1.5 cum when filled to hatch area



SECTION A-A
SCALE 1 : 20

B

B

C

C

D

Q.A _____ MATERIAL: _____

DD_RB_10_inch_2017