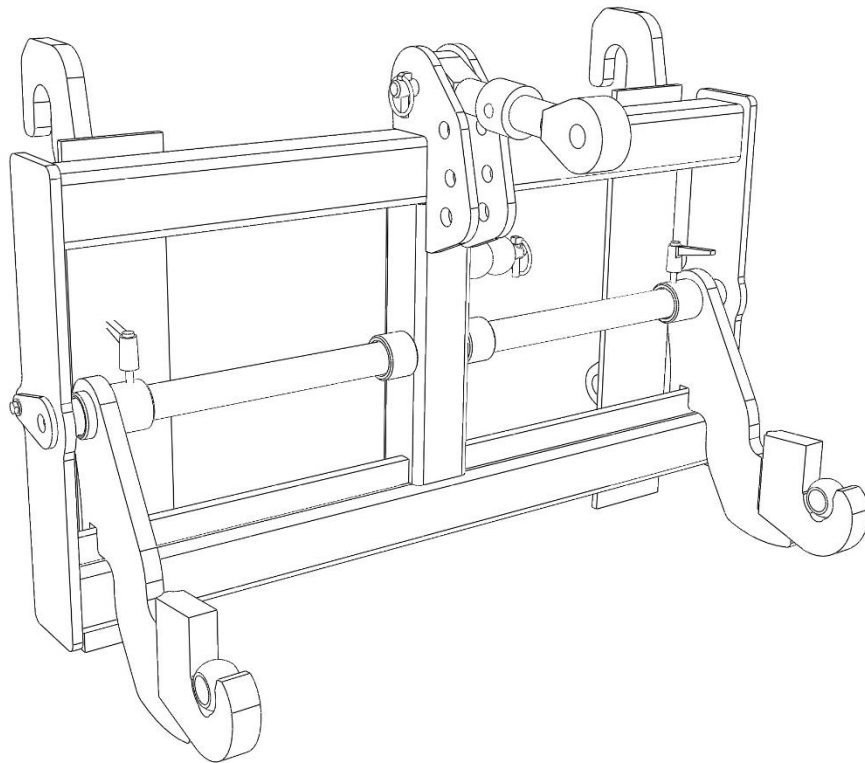


# AGRI WELD

## Operator Manual

### Fixedshift



**AGRI WELD**

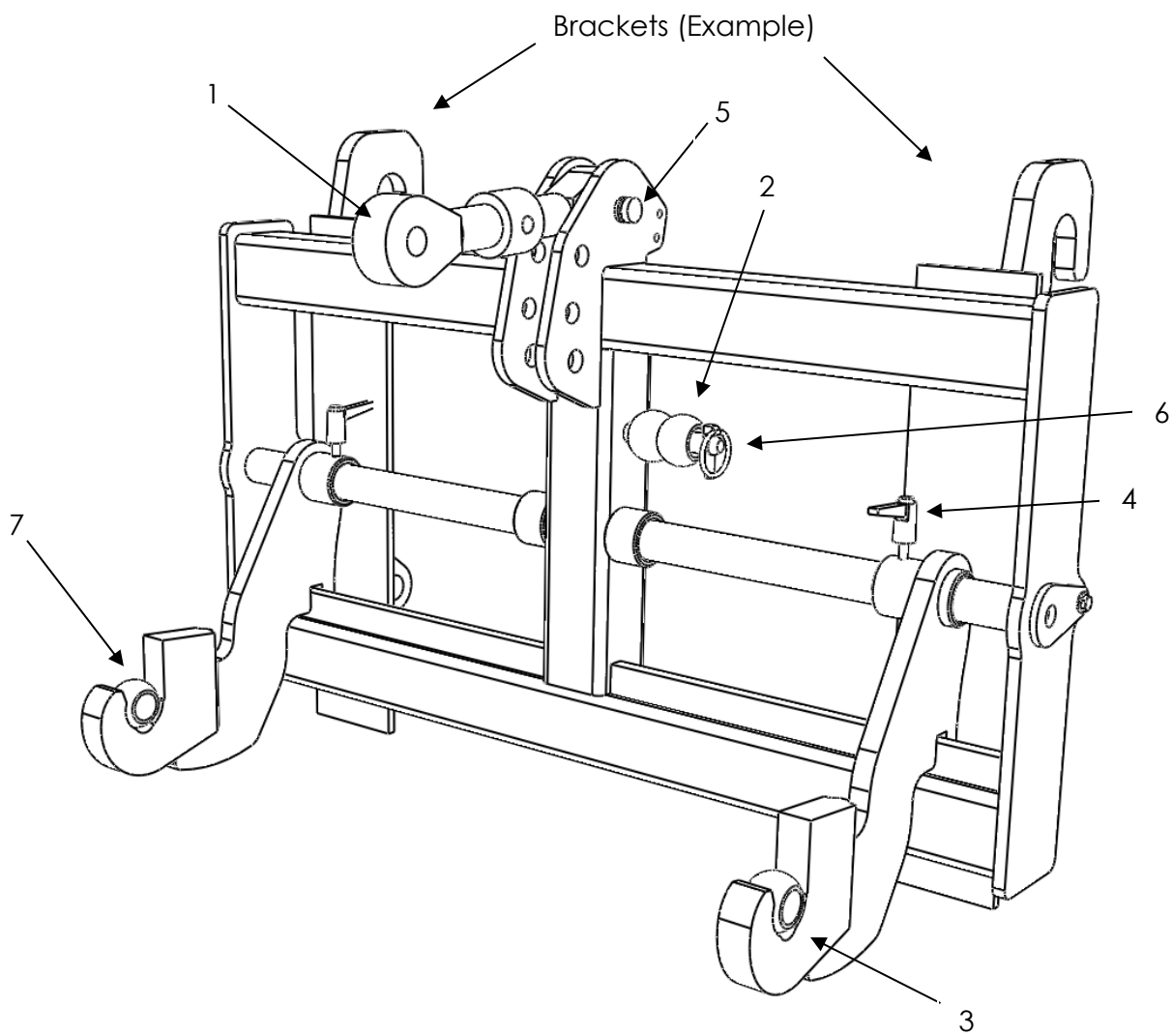
[www.agriweld.co.uk](http://www.agriweld.co.uk)

The Workshops  
Main Street  
Garton-on-the-Wolds  
Drifffield, YO25 3ET  
Tel: 01377 259140  
Fax: 01377 259141  
Email: [sales@agriweld.co.uk](mailto:sales@agriweld.co.uk)

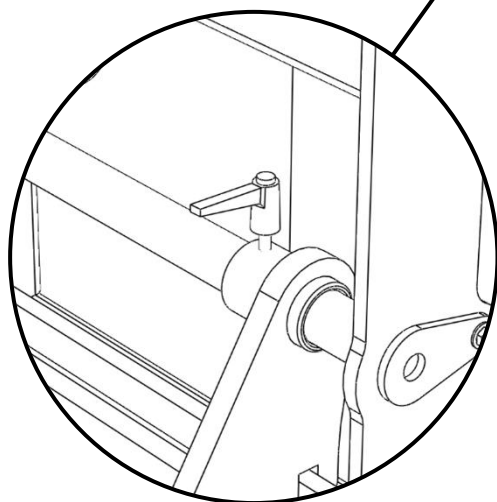
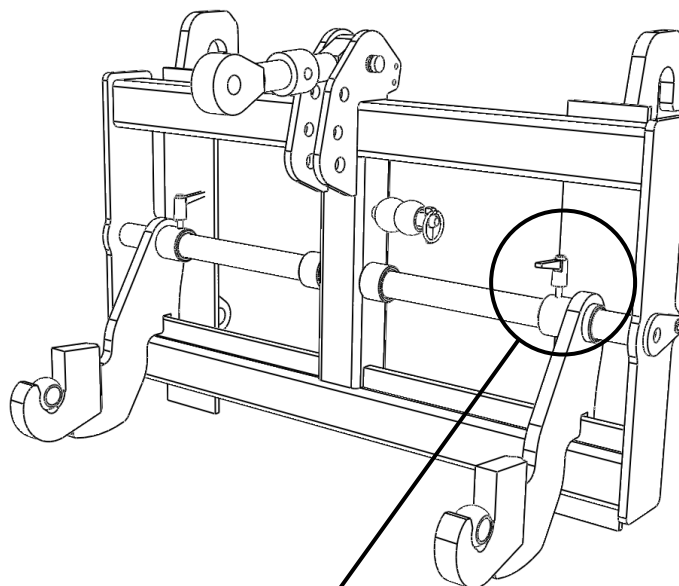
**CONTENTS**

<b>Page 3</b>	Assembly
<b>Page 4</b>	Moving Bottom Link
<b>Page 5</b>	Moving Top Link
<b>Page 6</b>	Weights, Capacities & Parts List
<b>Page 7</b>	Summary
<b>Page 8</b>	Connecting to forklift loader & implement
<b>Page 9</b>	Capacity & General Safety
<b>Page 10</b>	Qualifications and Training
<b>Page 11</b>	Further Safety and Special Safety Instructions
<b>Page 12</b>	Storage Safety & Important Maintenance
<b>Page 13</b>	Warranty
<b>Page 14</b>	Stickers
<b>Page 15</b>	CE Declaration of Conformity

**ASSEMBLY**

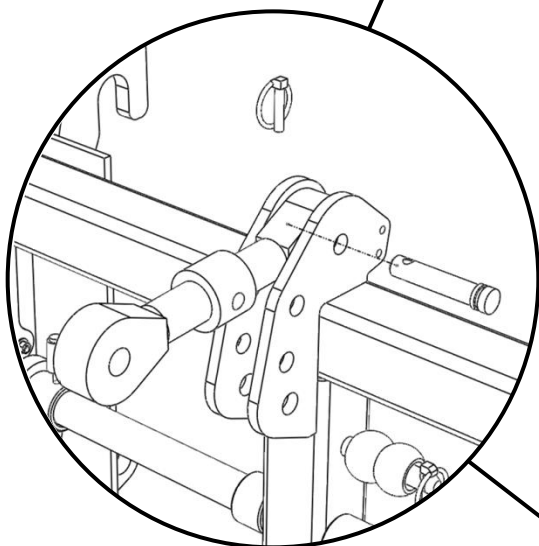
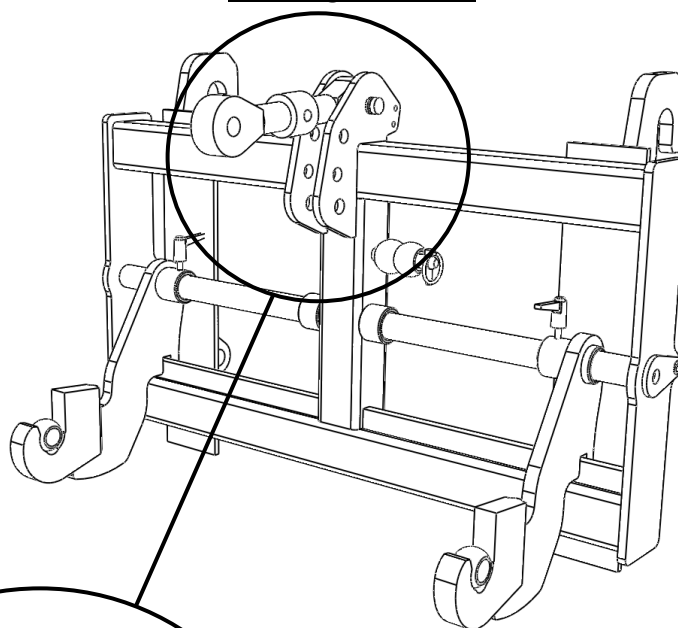


### Moving Lower Link Unit

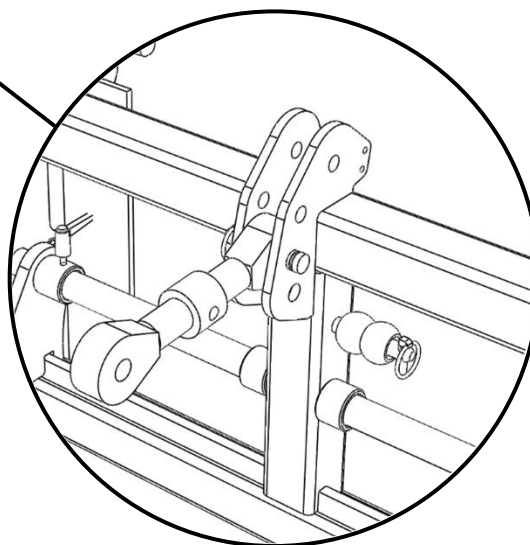


To adjust width of lower link hooks (3), twist the bottom link unit locking handle (4). Once loose the lower link will slide freely along the frame. When the desired position is reached, re-tighten the locking handle to ensure the lower link unit is fixed and doesn't move during use.

### Moving Top Link



To Change the position of the Top Link (1), Remove the pin (5) from the current position while supporting the top link and re-insert it into hole at desired new position. Replace pin to lock the top link in place as illustrated.



**WEIGHTS AND CAPACITIES**

<b>Unit Weight</b>	<b>Maximum Capacity</b>
202 KG	5000 KG

**PARTS LIST**

<b>Item Number</b>	<b>Part Number</b>	<b>Description</b>	<b>Quantity per Machine</b>
1	Gwaza37	Top Link	1
2	-	Spherical Ball Storage Point	1
3	Gwaza1836	CAT 2 Weld on lower hook	2
4	KS460556	Bottom Link Unit Locking Handle	1
5	Z325105KR	Pin	2
6	LP11Z	Linch Pin	1
7	Gwaza1836	Spherical ball	2

## **SUMMARY**

The Agriweld Fixedshift is designed to be a 3 point linkage for your loader with adjustable lower link arms and adjustable top link, to safely and securely assist in moving, performing maintenance or changing wearing parts on all 3 point linkage equipment. It can also be used to attach items such as a post knocker for use.

The Fixedshift forklift/loader attachment consists of an adjustable top link, left and right lower hooks, a main frame and relevant bracketing to fit your forklift or loader.

The Fixedshift has a certified SWL (Safe Working Load) of 5 tonnes (5000kgs) or the maximum capacity of the forklift/loader it is attached to (whichever is lowest).

Only personnel with the appropriate forklift/loader licence are authorised to use this machine.

Statutory minimum age limits must be observed and reliable personnel only should perform maintenance/work on this machine.

Persons undergoing training or instruction or taking part in a general training course should only use this machine under direct supervision of an experienced and trained person.

**CONNECTING TO YOUR TELEHANDLER**

**AGRI WELD**

**Please note that this is generalised information and connection may vary depending the type of headstock/brackets fitted. Operators should use their own judgement and experience when hitching/un-hitching the Fixedshift.**

**Attachment to a counterbalance truck is not currently advisable.**

### **CONNECTION TO TELEHANDLER VIA QUICK-HITCH BRACKETING**

Tilt loader headstock slightly forwards and drive in slowly to locate loaders top headstock mounting point into Fixedshift corresponding top bracket mounting point carefully. Crowd loader headstock back slightly to align lower Fixedshift bracket mounting point with the corresponding bracket on the loader headstock and secure with the relevant locking pins.

Any warning signs/instructions on the machine provide important information and must be observed.

Ensure that you are familiar with the equipment, controls and functions of the forklift or loader and Fixedshift before starting work.

### **CONNECTING AN IMPLEMENT TO THE FIXEDSHIFT**

Attach the lower link balls (provided with the Fixedshift) in to the implements lower link points and secure with the pin.

Drive slowly towards the implement with the loader and Fixedshift attached and locate the lower link hooks to the equipment's lower link balls. The hooks will 'snap' into position when correctly located.

Stop loader, apply handbrake and get out of the loader cab and attach the Fixedshift adjustable top link to implements top link point using the implements top link pin.

Top link adjustment may be required if the attached implements position is needed to be altered. To do this turn the top link handle clockwise or anticlockwise until it reaches correct position. See page 5 for further top link adjustment and settings.



## **CAPACITY – IMPORTANT INFORMATION**

The FIXEDSHIFT has been load tested and certified with a safe working load (SWL) of

**5 Tonnes\* (5000kgs)**

**\*When fitted to any telehandler with a lift capacity less than 5 tonnes (5000kgs) reduces the safe working load (SWL) of the FIXEDSHIFT to that of the telehandlers capacity.**

**For example fitted to a 3 – tonne (3000kg) telehandler, the FIXEDSHIFTS capacity is also reduced to 3 – tonnes (3000kgs).**

**Warranty claims arising from misuse and overload will not be covered.**

## **GENERAL SAFETY**

This manual must be provided to all persons concerned who will be involved with the setting up, operation, maintenance and use of the telehandler and FIXEDSHIFT. It must be available at all times.

If important safety instructions are not complied with, it can lead to the risk of injury to yourself and others as well as damage to property and the environment.

**NON COMPLIANCE WITH SAFETY INSTRUCTIONS CAN LEAD TO WARRANTY CLAIMS BECOMING INVALID.**

## **QUALIFICATIONS AND TRAINING**

Only personnel with the appropriate forklift/loader licence are authorised to use this machine.

Statutory minimum age limits must be observed and reliable personnel only should perform maintenance/work on this machine.

Persons undergoing training or instruction or taking part in a general training course should only use this machine under direct supervision of an experienced and trained person.

The use of spare parts, accessories and ancillary equipment not supplied or approved by Agriweld, could have detrimental effects to the construction or functions of the FIXEDSHIFT. Agriweld shall not be responsible for any damage caused by the use of spare parts or accessories and ancillary equipment not supplied or approved by Agriweld.

The operator must be aware of their responsibilities with regard to observing traffic regulations. The operator must have the authority to refuse instructions issued by third parties which contravene safety.

The operator should only operate what they are trained and experienced to do. If you are not confident, assistance should be sought from a suitably qualified person before using the Fixedshift. Untrained and non-confident operators should be supervised by an experienced operator until it is deemed them safe to use on their own.

The driving characteristics of the forklift/loader are influenced and altered by the attachment of mounted machines and it is important to ensure adequate steering and braking ability as required.

Any conversions or modifications to the machine may only be carried out after prior consultation and written confirmation from Agriweld.

### **PLEASE NOTE:**

**All forklifts are subject to L.O.L.E.R inspection / report by reputable engineers and records kept and maintained.**



### **FURTHER SAFETY**

Any warning signs/instructions on the machine provide important information and must be observed.

Ensure that you are familiar with the equipment, controls and functions of the forklift or loader and FIXEDSHIFT before starting work.

Check round the machine for any noticeable damage, or missing parts before starting work.

It is advisable that the operator wears close fitting clothing to avoid the risk of snagging and trapping.

Ensure that you watch out for wandering individuals (particularly children!).

Remember to take into account the size of any attachments being moved and be aware of the sideways forces acting on the machine when turning and negotiating corners. Always ensure adequate all round visibility.

### **SPECIAL SAFETY INSTRUCTIONS**

Take extra care when hitching up or un-hitching the FIXEDSHIFT to/from the loader. Be aware of what is under the FIXEDSHIFT and its load (such as your feet) before dropping off.

Ensure that the loaders hydraulic system is in full working order.

Never allow any person to stand between the loader and the FIXEDSHIFT during connection or at any time unless the forklift or loader is secured against rolling away by use of a parking brake and/or wheel chocks.

It is forbidden to allow any persons to ride or sit on the FIXEDSHIFT and its load at any time. Observers should maintain a safe distance when machine is in use.

When performing any adjustments to the machine the forklift or loader's engine must be switched off to prevent the hydraulics from operating.

**NEVER walk or work under a suspended load. Always take measures to support the machine and its load to prevent crushing and/or death. Do not rely on the loader and FIXEDSHIFT alone if you are working under a suspended load. Always use supports for example trestles or a frame capable of taking the load in the event of failure.**

### **STORAGE AND SAFETY WHEN NOT IN USE**

Always detach any implements from the Fixedshift when you have finished using them.

The Fixedshift will stand on its own when not mounted or in use, unless forced over by external sources. We advise the Fixedshift be stored away in an area clear from obstruction without causing hazard to other vehicles, damage to property or injury to individuals and by ensuring that the storage area is easily accessible for next use.

If you need to keep the Fixedshift mounted to the forklift/loader in between use, it is important to ensure the Fixedshift is lowered to ground level, the vehicle has the hand brake/equivalent secured, the loader engine is turned off and vehicle is locked.

### **IMPORTANT MAINTENANCE**

It is important to check the adjustable top link and lower link hooks for wear and/or damage and missing parts regularly.

Before use, always check round the FIXEDSHIFT to ensure no damage has occurred, there are no missing parts and that the machine appears safe to use.

Keep the FIXEDSHIFT clean at all times to ensure easy inspection.

Ensure that the loader is in full working order and that the FIXEDSHIFT is attached to the loader correctly before starting work.

Never use the Fixedshift and any implements if any parts are missing.

Routine maintenance and safety checks of the Fixedshift does not require the operator to climb/stand on the machine at any time. Climbing on the Fixedshift at any time is prohibited.

Do not overload the loader and Fixedshift. Please refer to limits of capacity (page 9) for further details. Only use the Fixedshift for the purpose it is intended for.

**The Fixedshift is subject to L.O.L.E.R inspection annually.**

## **WARRANTY**

Your Agriweld FIXEDSHIFT is covered for a period of 12 months from the date of dispatch (which is recorded on our files) against faulty components and/or bad workmanship.

Our welders are coded to BS EN 287-1 and our welding procedures are approved in accordance with: BS EN ISO 15614-1 to manufacture your equipment and all products are checked for quality prior to delivery/collection.

We cannot be responsible for claims arising from ignorance, occurrences outside our control, such as accidents, and malicious damage.

Damage occurred during transit must be reported on signing for the item from the haulier to enable us to make a claim for damages caused during transport.




### **WARRANTY CLAIMS FOR DAMAGE DURING TRANSIT**

Damage occurred during transit via an external haulier **must be reported immediately upon unloading and signing for the item.**

The limit of our liability to undertake repairs to products damaged during transit is dependent on signing for any damaged product upon delivery as "DAMAGED" or "UNINSPECTED ON UNLOADING"

**Thank you.**

**STICKERS**

Sticker	Part Number	Description	Quantity per Machine
	<p>AW_QS_LS (460mm x 90mm)</p>	<p>Fixedshift sticker</p>	<p>2</p>
	<p>AW_QS_AS (185 mm x 85mm)</p>	<p>Agriweld sticker</p>	<p>2</p>
	<p>AW_QS_GB (85mm x 50mm)</p>	<p>Great Britain sticker</p>	<p>2</p>



## CE DECLARATION OF CONFORMITY

The equipment which accompanies this declaration is in conformity with EU Directive(s):-

### 2006/42/EC Machinery Directive

Manufacturer Name:	Agriweld Ltd
Manufacturer Address:	Main Street Garton-on-the-Wolds Driffield East Yorkshire YO25 3ET
Product:	Fixedshift – Adjustable 3 point linkage frame
Product Options:	All
Individual Serial Number:	
Product Description:	An attachment specifically for use with telehandlers (maximum lift capacity of 5000kg or capacity of telehandler if lower than this) to safely and securely assist in moving, performing maintenance or changing wearing parts on all 3 point linkage equipment.
Date of Last Load Test Report:	19/09/2017
Supplementary Information:	This equipment is subject to LOLER inspection (Lifting Operations and Lifting Equipment Regulations 1998) within 12 months of putting into service.
Authorised Signatory on Behalf of Manufacturer:	
Name of Signatory:	Dawn Foster
Position in Company:	Director
Date of Issue:	