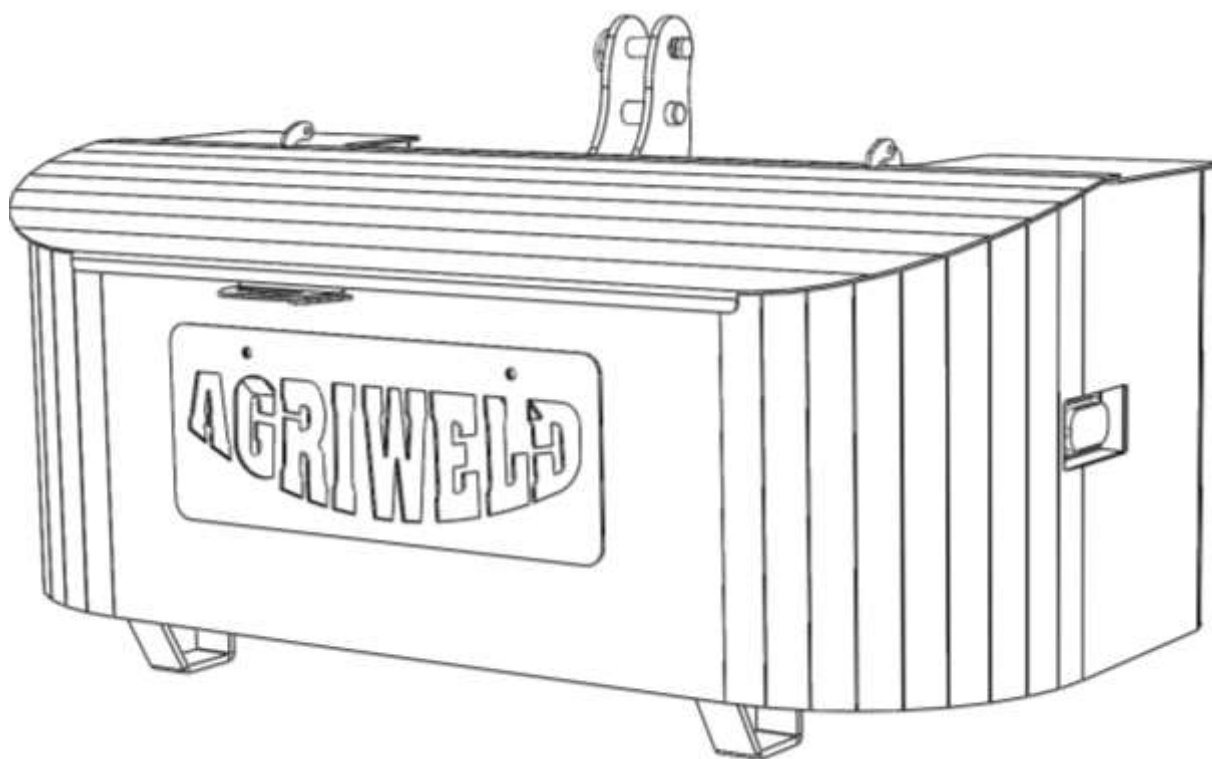


# AGRI WELD

**Transport Box**

**ALL MODELS**

**Operator Manual**



The Workshops  
Main Street  
Garton-on-the-Wolds  
Driffield, YO25 3ET  
Tel: 01377 259140  
Email: [sales@agriweld.co.uk](mailto:sales@agriweld.co.uk)

# AGRI WELD

## Contents

<b>Page 3</b>	Introduction: General Safety & Qualifications & Training
<b>Page 4</b>	Further Safety & Unit Weights
<b>Page 5-8</b>	Standard Transport Box
<b>Page 9-11</b>	Basic Compact Transport Box
<b>Page 12-14</b>	Slim Compact Close Coupled Transport Box
<b>Page 15</b>	Special Safety Instructions & Important Maintenance
<b>Page 16</b>	Connecting Your LED's
<b>Page 17</b>	LED Patterns
<b>Page 18</b>	Warranty
<b>Page 19</b>	Stickers
<b>Page 20</b>	C E Declaration of Conformity

## Introduction

### General Safety

This manual must be provided to all persons concerned who will be involved with the setting up, operation, maintenance and use of the tractor and transport box. It must be available at all times.

If important safety instructions are not complied with, it can lead to the risk of injury to you and others as well as damage to property and the environment.

**NON COMPLIANCE WITH SAFETY INSTRUCTIONS CAN LEAD TO WARRANTY CLAIMS BECOMING INVALID.**

### Qualifications and Training

Only personnel with the appropriate licence are authorised to use this implement.

Statutory minimum age limits must be observed and reliable personnel only should perform maintenance/work on this implement.

Persons undergoing training or instruction or taking part in a general training course should only use this implement under direct supervision of an experienced and trained person.

The use of spare parts, accessories and ancillary equipment not supplied or approved by Agriweld could have detrimental effects to the construction or functions of the Agriweld toolbox. Agriweld shall not be responsible for any damage caused by the use of spare parts or accessories and ancillary equipment not supplied or approved by Agriweld.

The operator must be aware of their responsibilities with regard to observing traffic regulations. The operator must have the authority to refuse instructions issued by third parties which contravene safety.

Any conversions or modifications to the implement may only be carried out after prior consultation and written confirmation from Agriweld.

## **Further Safety**

Any warning signs/instructions on the machine provide important information and must be observed.

Ensure that you are familiar with the equipment, controls and functions before starting work.

Check round the machine for any noticeable damage, or missing parts before starting work.

It is advisable that the operator wears close fitting clothing to avoid the risk of snagging and trapping.

Ensure that you watch out for wandering individuals (particularly children!).

Always match your speed to the conditions and legal speed limits. Observe and respect traffic regulations when using public roads.

Remember to take into account the size of any attachments to the tractor you may have and be aware of the sideways forces acting on the machine when turning and negotiating corners. Always ensure adequate all round visibility.

The driving characteristics of the forklift/loader/tractor are influenced and altered by the attachment of mounted machines and it is important to ensure adequate steering and braking ability as required.

### **Unit Weight before additional concrete weight (approx.)**

Slim Compact Transport Box (front linkage or bolster) = 125kg

Basic Compact Transport Box (front linkage or bolster) = 150kg

Standard Transport Box (front linkage or bolster) = 200kg

Bespoke sizes – Please refer to serial plate for weight

Please note: Dimensions & weight may be subject to change without prior notification

All models can be front linkage or bolster fitting.

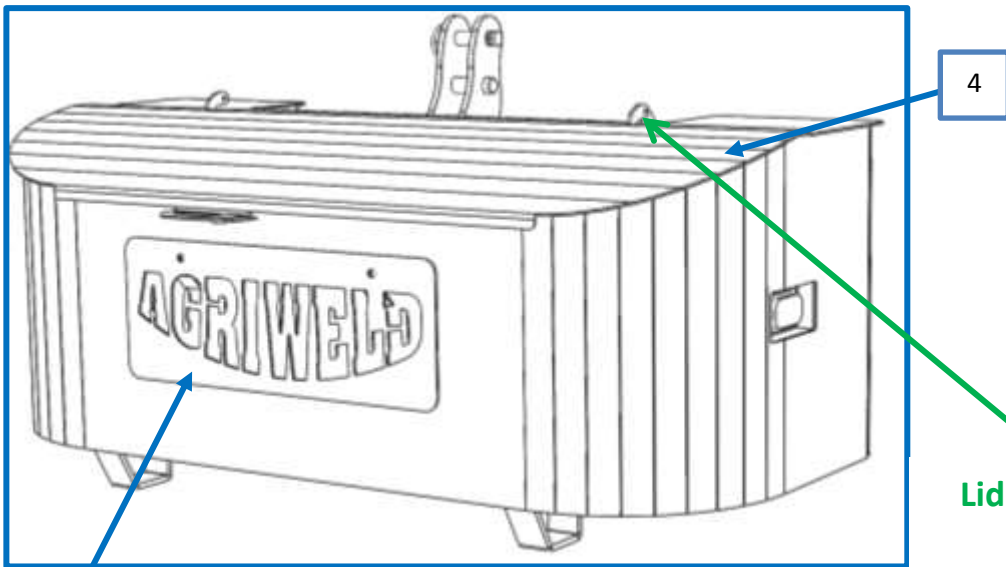
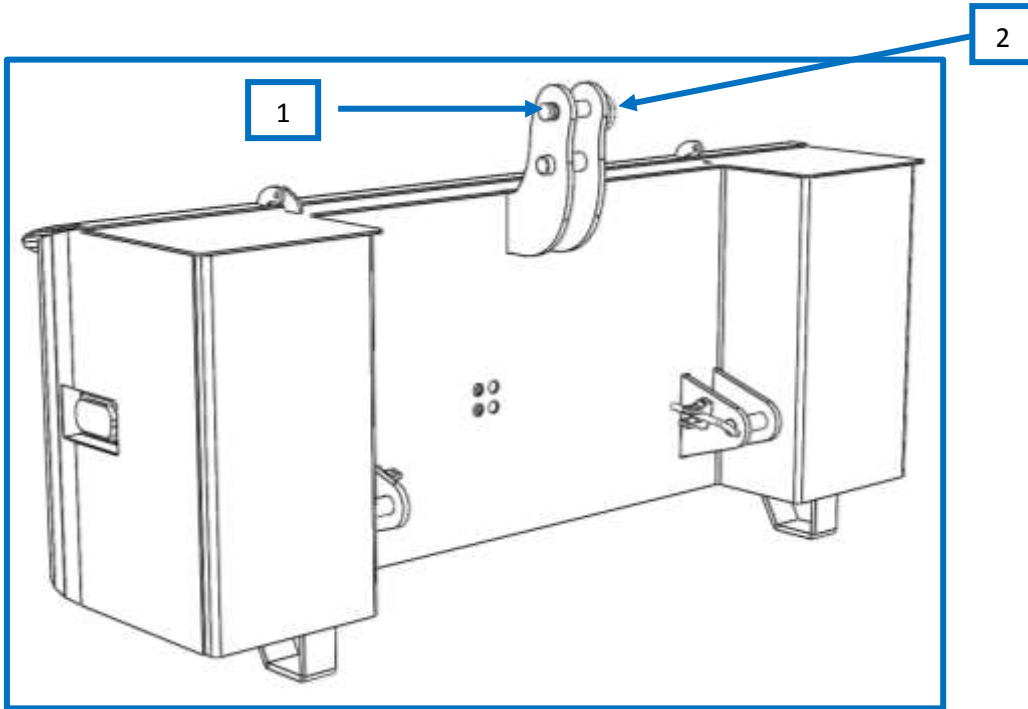
# **STANDARD TRANSPORT BOX (FRONT LINKAGE MODEL SHOWN)**

**Page 6 – Assembly**

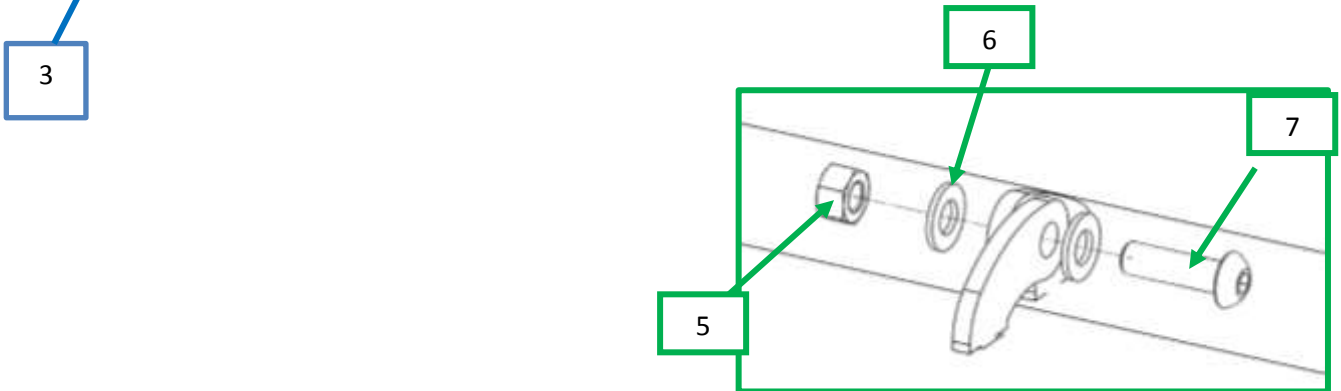
**Page 7 – Parts list, lid stay assembly & lid removal**

**Page 8 – Bolster fitting example**

**Standard Transport Box Assembly (Front linkage model shown)**



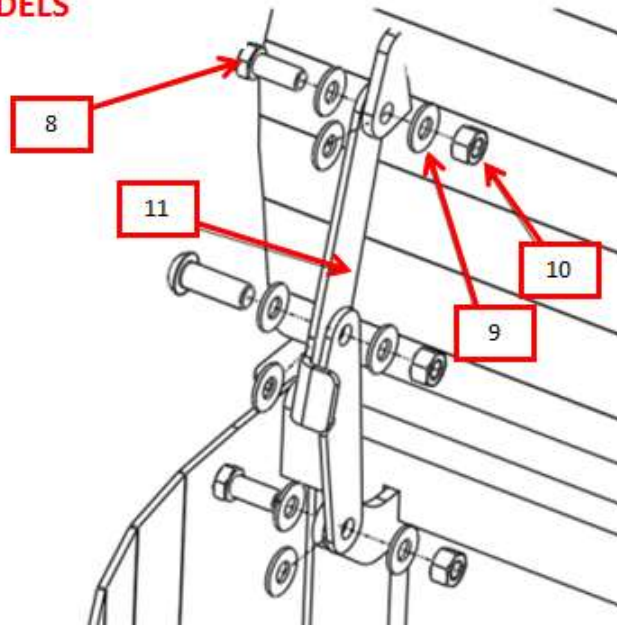
Lid hinge assembly (x2 per box)



### Standard Transport Box Parts List (front linkage model)

NO	DESCRIPTION	PART NUMBER	QTY PER BOX
1	TOP LINK PIN	Z325095KR	1
2	LINCH PIN	LP11Z	3
3	NAME PLATE	AW_NP	1
4	LID	AW_TBLID	1
5	M10 NYLOCK NUT	AWM10N	2
6	M10 WASHER	AWM10W	6
7	M10 BUTTON HEAD BOLT	AWM10BHB	3
8	M8 BOLT	AWM10B	2
9	M8 WASHER	AWM10W	9
10	M8 NYLOCK NUT	AWM10N	3
11	LID STAY BRACKET	LCTB_PRO_01	1

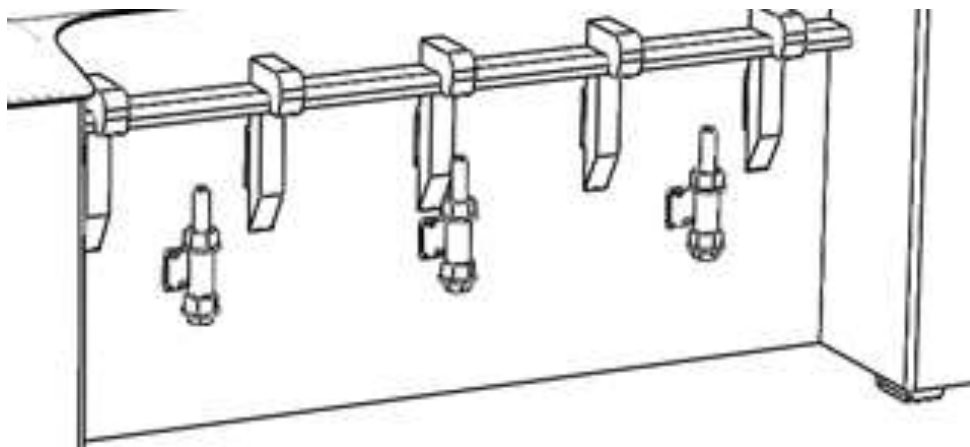
### LID STAY ASSEMBLY ON STANDARD AND BASIC COMPACT MODELS



TO REMOVE TRANSPORT BOX LID FROM STANDARD & BASIC COMPACT MODELS

1. DETACH LID STAY ASSEMBLY FROM THE UNDERSIDE OF THE LID BY UNSCREWING BOLT (10)
2. DETATCH LID HINGE ASSEMBLIES (X2) BY UNSCREWING BOTH BOLTS (7) AS SHOWN ON NEXT PAGE AS PER PARTS LIST ABOVE

**BOLSTER FITTING EXAMPLE AVAILABLE ON ALL MODELS, IMAGE FOR ILLUSTRATION PURPOSES ONLY**



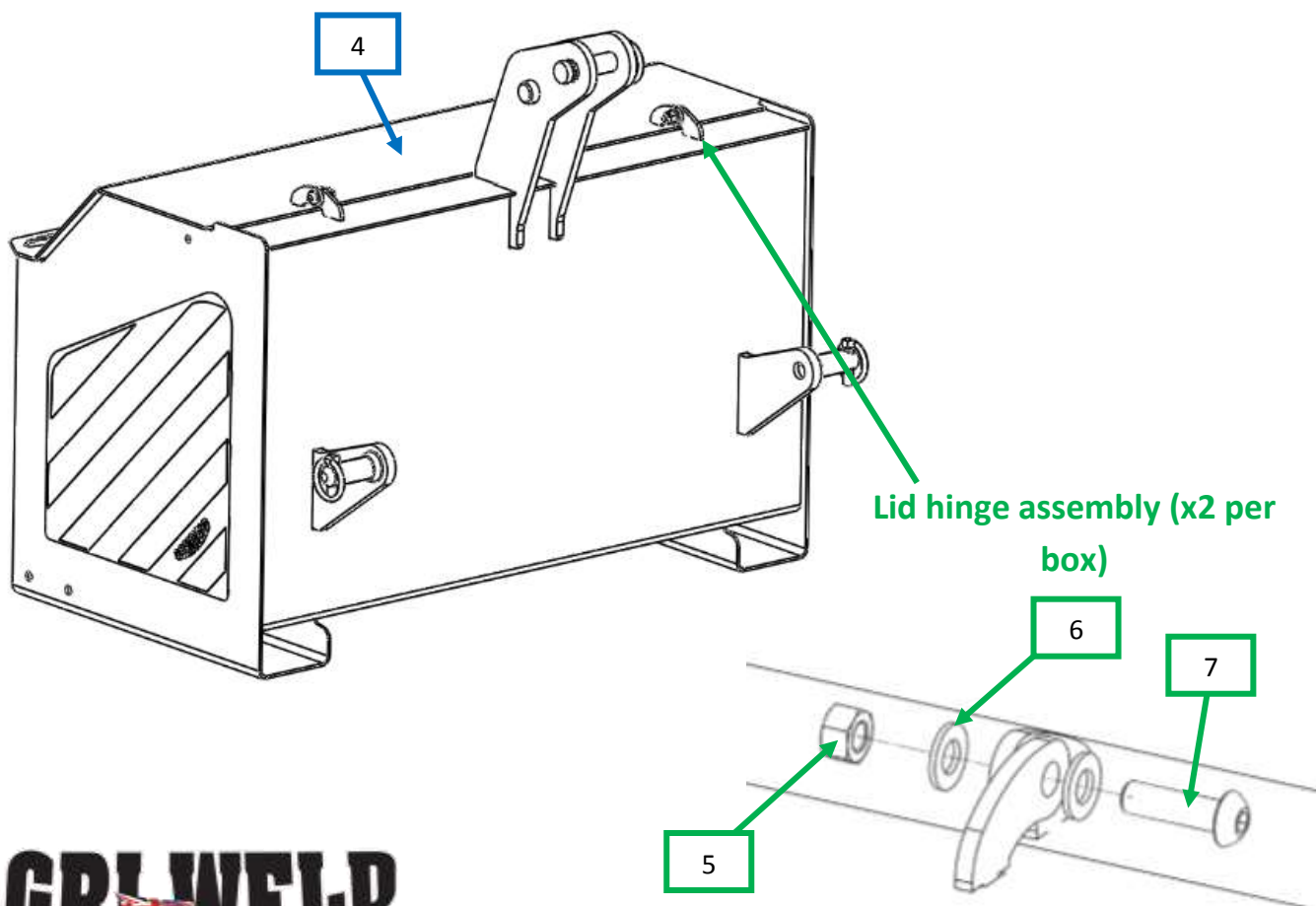
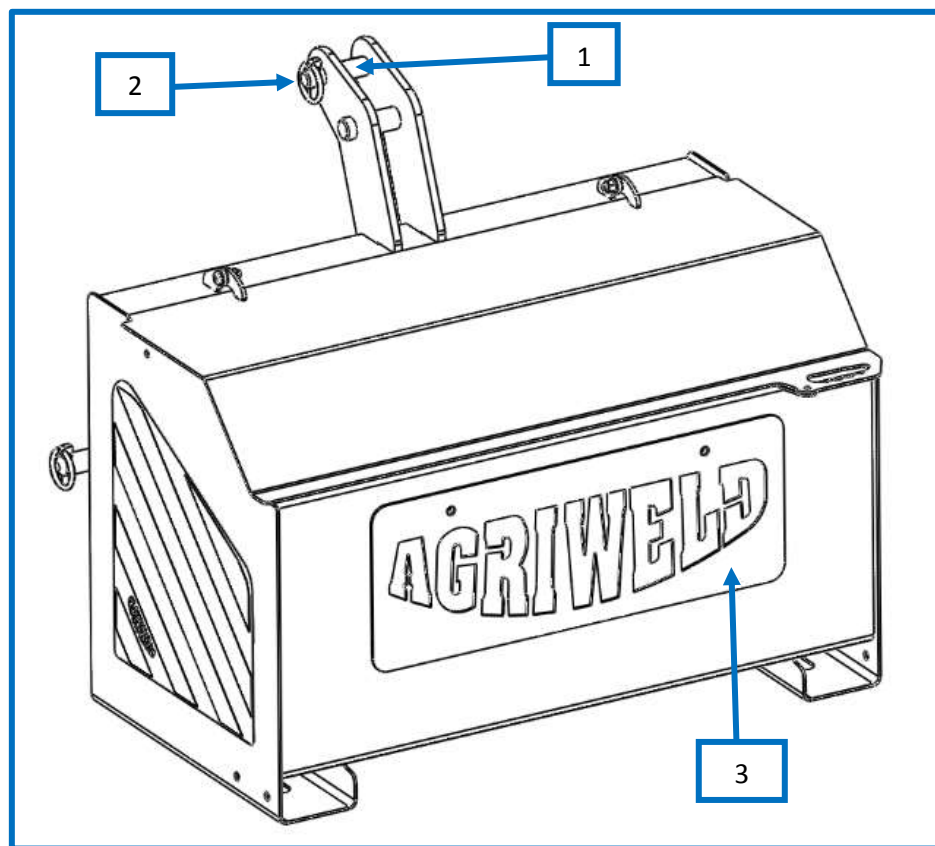


# **BASIC COMPACT TRANSPORT BOX (FRONT LINKAGE MODEL SHOWN)**

**Page 9 – Assembly**

**Page 10 – Parts list, lid stay assembly & lid removal**

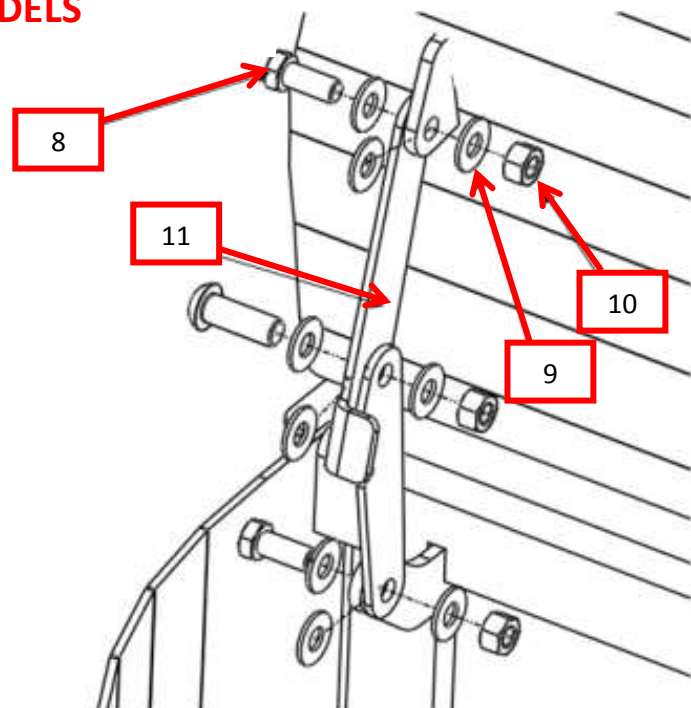
### **Basic Compact Transport Box Assembly (front linkage model shown)**



### Basic Compact Transport Box Parts List (front linkage model shown)

NO	DESCRIPTION	PART NO	QTY PER BOX
1	TOP LINK PIN	Z325095KR	1
2	LINCH PIN	LP11Z	3
3	NAME PLATE	AW_NP	1
4	LID	AW_TBLID	1
5	M10 NYLOCK NUT	AWM10N	2
6	M10 WASHER	AWM10W	6
7	M10 BUTTON HEAD BOLT	AWM10BHB	3
8	M8 BOLT	AWM10B	2
9	M8 WASHER	AWM10W	9
10	M8 NYLOCK NUT	AWM10N	3
11	LID STAY BRACKET	LCTB_PRO_01	1

### LID STAY ASSEMBLY ON STANDARD AND BASIC COMPACT MODELS



TO REMOVE TRANSPORT BOX LID FROM STANDARD & BASIC COMPACT MODELS

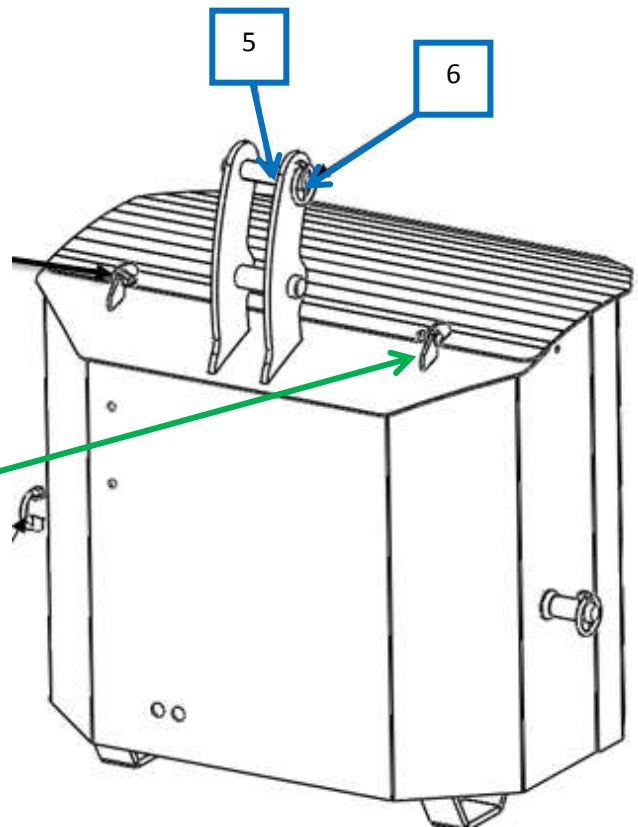
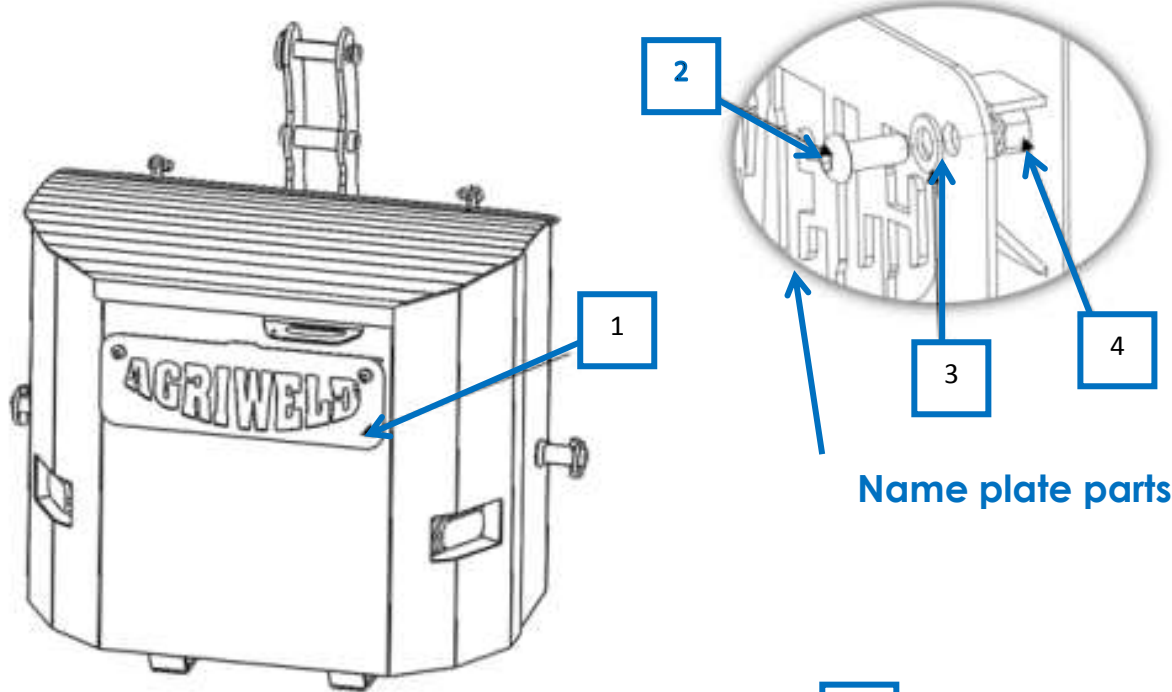
3. DETACH LID STAY ASSEMBLY FROM THE UNDERSIDE OF THE LID BY UNSCREWING BOLT (10)
4. DETACH LID HINGE ASSEMBLIES (X2) BY UNSCREWING BOTH BOLTS (7) AS SHOWN ABOVE

# **SLIM CLOSE-COUPLED TRANSPORT BOX (FRONT LINKAGE MODEL SHOWN)**

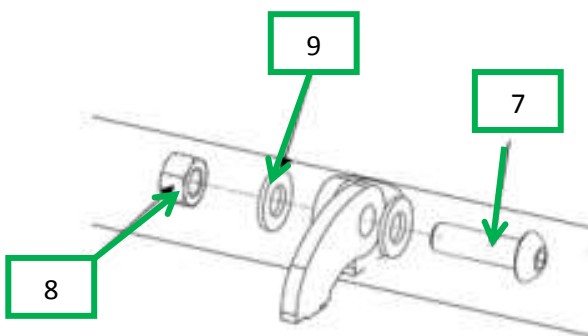
**Page 12 – Assembly**

**Page 13 – Parts List, lid stay assembly & lid removal**

**Slim Close-Coupled Transport Box Assembly (front linkage model shown)**



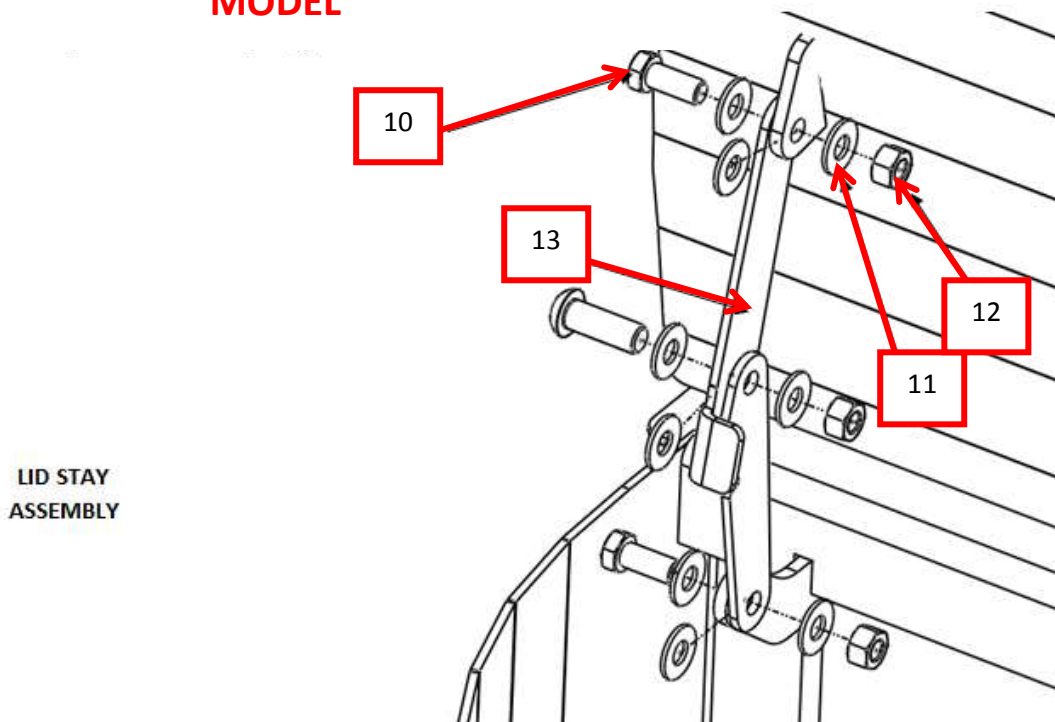
**Lid hinge assembly (x2 per box)**



### Slim Close-Coupled Transport Box Parts List

NO	PART NUMBER	DESCRIPTION	QTY PER BOX
1	AW_NP	NAME PLATE	1
2	AWM12BH	M12 BUTTON HEAD BOLT	2
3	AWM12W	M12 WASHER	4
4	AWM12N	M12 NYLOCK NUT	2
5	Z325095KR	TOP LINK PIN	1
6	LP11Z	LINCH PIN	3
7	AWM10BH	M10 BUTTON HEAD BOLT	2
8	AWM10N	M10 NYLOCK NUT	2
9	AWM10W	M10 WASHER	6
10	AWM8BH	M8 BUTTON HEAD	3
11	AWM8W	M8 WASHER	9
12	AWM8N	M8 NYLOCK NUT	3
13	AWLCTB_PRO_01	LID STAY BRACKET	1

### LID STAY ASSEMBLY SLIM CLOSE-COUPLED MODEL



TO REMOVE TRANSPORT BOX LID FROM SLIM CLOSE-COUPLED MODEL

5. DETACH LID STAY ASSEMBLY FROM THE UNDERSIDE OF THE LID BY UNSCREWING BOLT (10)
6. DETACH LID HINGE ASSEMBLIES (X2) BY UNSCREWING BOTH BOLTS (7) AS SHOWN ON PREVIOUS PAGE

## **Special Safety Instructions**

Take extra care when connecting or disconnecting the transport box to/from the tractor. Be aware of what is under the transport box (such as your feet) before dropping it off.

Ensure that the tractor's hydraulic system is in full working order.

Never allow any person to stand between the tractor and the transport box during connection or at any time unless the tractor is secured against rolling away by use of a parking brake and/or wheel chocks.

It is forbidden to allow any persons to ride or sit on the transport box at any time. Observers should maintain a safe distance when machine is in use.

When performing any adjustments to the machine the tractor engine must be switched off to prevent the hydraulics from operating.

Ensure that any items stored in the transport box are secured by closing the lids.

The towing clevis is intended for light use only. E.g.: for pulling a furrow press out of a corner using a chain. It is more of a chaining point not an actual towing point and is NOT suitable to tow a trailer down a public road when in use on the rear linkage. The towing clevis can be used for towing lighter loads round the yard, however, it is not a load tested item and so cannot be guaranteed safe for use on public highways and is to be used for towing at own risk.

## **Important Maintenance**

**It is important to check all pins/bolts for wear and ensure that none show significant signs of wear or damage.**

**Keep the transport box clean at all times.**

## CONNECTING YOUR LEDS

If you have ordered amber flashing LED side marker lights with your transport box, you will need to supply and fit the relevant 12-24V electrical plug to suit the connection to your tractor.

### WHITE LED SIDE MARKER LIGHTS FITTING INSTRUCTIONS

To connect your white LED side marker lights you will need to wire them up to a relevant 12-24 V electrical plug, suitable for your tractors electrical supply.

**BLUE** WIRE = EARTH (NEGATIVE -)

**BROWN** WIRE = LIVE (POSITIVE +)

### AMBER LED3DV FLASHING MARKER LIGHTS:

The amber flashing LED side marker lights are set to pattern PA1 before delivery. If you wish to change this, you will need to work your way down the list of patterns following the instructions below before fitting the plug and connecting to the tractor.

1. Using the **GREY** wire to make the change you will need a 12V battery on hand to alter the flashing pattern.
2. Connect the **BROWN** wire to Live (**+POSITIVE**) on the battery.
3. Connect the **BLACK** wire to Earth (**-NEGATIVE**) on the battery.
4. Touch the **GREY** wire once to Earth (**-NEGATIVE**) which will produce the next pattern in the sequence.
5. Keep touching the **GREY** wire in this way until the desired pattern is achieved.
6. When happy you can fit your 12-24V plug using only the **BROWN** LIVE (**+POSITIVE**) wire and **BLACK** Earth (**-NEGATIVE**) wire.
7. Cut excess **GREY** and **YELLOW/GREEN** wires down to within the sheath to prevent further contact.



Pattern Number	Pattern	Synchronise	Alternate
PA1	Single Alert 150 – Phase 1	✓	✓
PA2	Single Alert 150 – Phase 2	✓	
PA3	Single Alert 75 – Phase 1	✓	✓
PA4	Single Alert 75 – Phase 2	✓	
PA5	Single Alert 375 – Phase 1	✓	✓
PA6	Single Alert 375 – Phase 2	✓	
PA7	Single Flash 150 – Phase 1	✓	✓
PA8	Single Flash 150 – Phase 2	✓	
PA9	Single Flash 75 – Phase 1	✓	✓
PA10	Single Flash 75 – Phase 2	✓	
PA11	Double Flash 150 – Phase 1	✓	✓
PA12	Double Flash 150 – Phase 2	✓	
PA13	Double Flash 75 – Phase 1	✓	✓
PA14	Double Flash 75 – Phase 2	✓	
PA15	Comet Flash 75		-
PA16	Action Flash	-	-
PA17	Module Flash	-	-
PA18	Comet Alert		-
PA19	Action Scan	-	-
PA20	Single Alert	-	-
PA21	Steady – High	N/A	N/A
PA22	Steady – Low	N/A	N/A
PA23	Off	N/A	N/A

## **Warranty**

Your Agriweld Transport Box is covered for a period of 12 months from the date of delivery/collection (which is recorded on our files) against faulty components and/or bad workmanship.

Our welders are coded to BS EN 287-1 and our welding procedures are approved in accordance with: BS EN ISO 15614-1 to manufacture your equipment and all products are checked for quality prior to delivery/collection.

We cannot be responsible for claims arising from ignorance, occurrences outside our control, such as accidents, and malicious damage.





Damage occurred during transit must be reported on signing for the item from the haulier to enable us to make a claim for damages caused during transport.

Transport boxes and toolboxes are not water or dust tight. Please protect necessary items within an additional and suitable container.

### **WARRANTY CLAIMS FOR DAMAGE DURING TRANSIT**

Damage occurred during transit via an external haulier must be reported immediately upon unloading and signing for the item. The limit of our liability to undertake repairs to products damaged during transit is dependent on signing for any damaged product upon delivery as "DAMAGED".

## Stickers

Sticker	Part number	Description	Quantity per Machine
	AW_WB_AS (185 mm x 85mm)	Agriweld Sticker	3
	AW_WB_GB (85mm x 50mm)	Great Britain Sticker	3
	Serial plate (76mmX51mm)	Serial plate	1
	AW_CV_STL	Standard Chevron with LED slot	2

## CE DECLARATION OF CONFORMITY

The equipment which accompanies this declaration is in conformity with EU Directive(s):-

### 2006/42/EC Machinery Directive

Manufacturer Name:	Agriweld Ltd
Manufacturer Address:	Main Street Garton-on-the-Wolds Driffield East Yorkshire YO25 3ET
Product:	Transport Box
Product Options:	All models
Individual Serial Number:	
Product Description:	Agriweld Transport Box
Date of Last Load Test Report:	N/A
Supplementary Information:	Front linkage or Bolster mounted ALL MODELS
Authorised Signatory on Behalf of Manufacturer:	
Name of Signatory:	Dawn Foster
Position in Company:	Director
Date of Issue:	