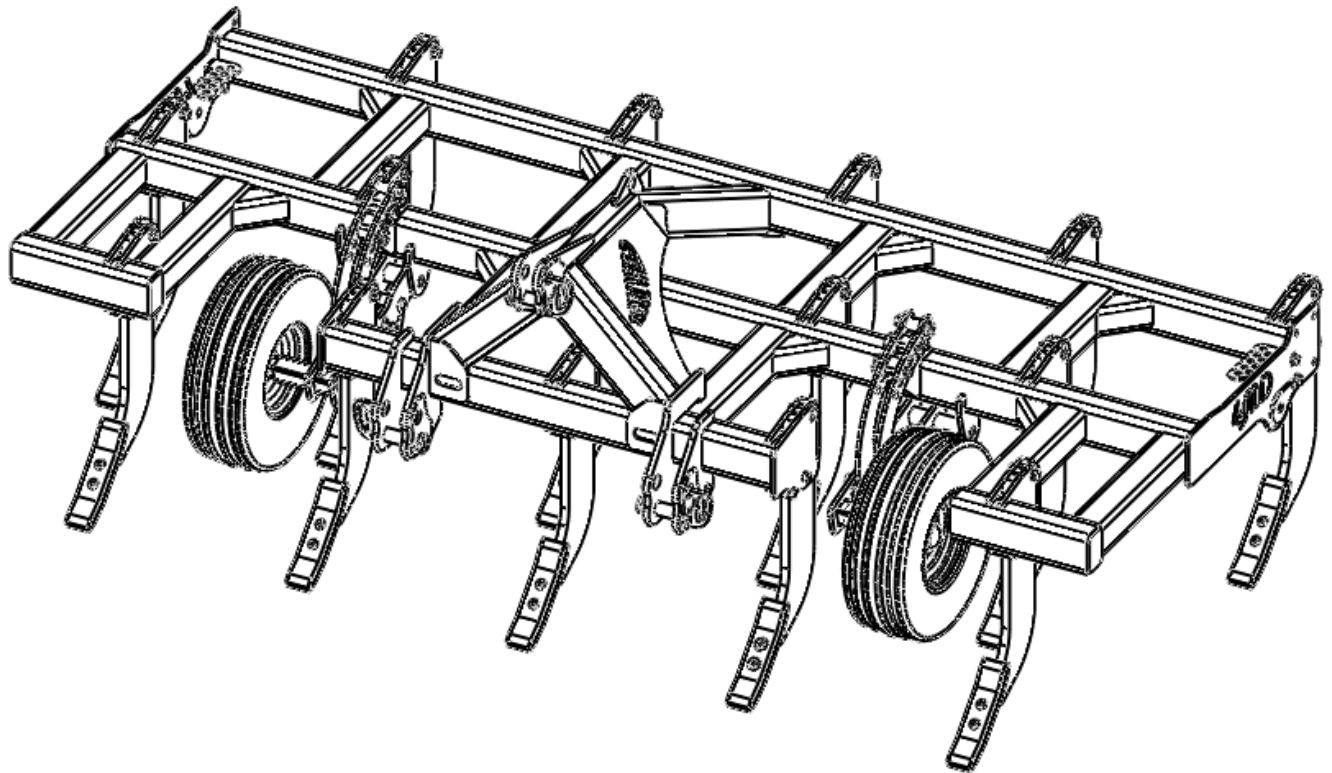


# AGRI WELD

## OPERATORS MANUAL

### 4M Rigid Drag



The Workshops  
Main Street  
Garton-on-the-Wolds  
Driffield, YO25 3ET  
Tel: 01377 259140  
Fax: 01377 259141  
Email: sales@agriweld.co.uk

**AGRI WELD**

[www.agriweld.co.uk](http://www.agriweld.co.uk)

## Contents Page

<b>Page 3</b>	User Information, Qualification & Training
<b>Page 4</b>	Think Safety
<b>Page 5</b>	Operation & Adjustment
<b>Page 6</b>	Rules of Conduct of Operation
<b>Page 7-8</b>	Reversing/Replacing the Points & Road Transport & Spare Parts
<b>Page 9</b>	Full Assembly
<b>Page 10-12</b>	Depth Wheel Assembly & Parts List
<b>Page 13-14</b>	Drag Leg Assembly & Parts List
<b>Page 15</b>	Stickers
<b>Page 16</b>	Warranty
<b>Page 17</b>	Declaration of Conformity

## USER INFORMATION

This manual contains basic advice, which should be observed during setting-up, operation and maintenance. It must be read by personnel concerned prior to starting up and using the machine and be available at all times to all operators.

If safety instructions are not complied with, it can lead to the risk of injury to yourself and others as well as damage to the environment or the machine. Non-compliance to the safety instructions can also lead to claims for damages becoming invalid.

### **New equipment - be careful!**

It is very important to be careful when new equipment is going to be used for the first time. Incorrect mounting of equipment and operational errors can lead to expensive repair work and operational losses.

Your warranty with Agriweld is not valid if the instructions in this operating manual are not followed correctly.

## QUALIFICATION AND TRAINING

- Competent personnel may only perform any work on, or with the machine. Statutory minimum age limits must be observed.
- Only trained or instructed staff should operate, set up and maintain this machine. Individual responsibilities of personnel concerning operation, setting up, maintenance and repair must be clearly established.
- Define the machine operator's responsibilities – also with regard to observing traffic regulations. The operator must have the authority to refuse any instructions issued by third parties, which contravene safety.
- Persons undergoing training or instruction should not be allowed to work on or with the machine unless they are under the constant supervision of an experienced person.
- The use of spare parts, accessories and ancillary equipment not supplied and/or not approved by Agriweld could have detrimental effects to this machine or its functions and hence impair the active and/or passive driving and/or operational safety (accident prevention).
- Agriweld shall not be responsible for any damage caused by the use of spare parts, accessories and ancillary equipment not supplied and/or approved by Agriweld.
- Conversions of, or modifications to the machine may only be carried out after consultation with Agriweld.

## **THINK SAFETY**

Read the instruction manual and follow the instructions given.

Take care when hitching up or unhitching the machine to and from the tractor

It is forbidden to allow any persons to sit or ride on the implement at any time

The tractor should be fitted with enough front-end weights for stability and to maintain secure steering.

Driving, steering and braking characteristics are influenced by mounted machines and ballast weights. The operator must ensure adequate steering and braking ability

Use the tractor's position control when coupling the implement to the tractor.

Do not stand between tractor and implement while it is being raised.

The tractor's lower link arms should be stabilised before driving on a public road so that the implement and tractor lower link arms do not touch the tyres during transport.

Make sure that all nuts and bolts are always fully tightened.

NEVER stand or work beneath a suspended load unless supported by chocks or stands capable of carrying the implements weight and bulk.

The user is responsible for ensuring the implement complies with the law when driving on public roads and to check the lighting units are in full working order.

Always lower the implement attached to a tractor whilst parked.

## **DIMENSIONS**

UNIT WEIGHT: Approx. 2.5 tonnes

MAIN FRAME: 150 x 150 x 10mm SHS

HEADSTOCK: 150 x 20 x 12mm SHS

WORKING WIDTH: 4250mm

TRANSPORT WIDTH: 4250mm

DEPTH (FRONT TO BACK): 2192mm

## **OPERATION AND ADJUSTMENT**

Attach the drag to the tractor using the 3 point linkage. The top link should be as short as possible whilst remaining as horizontal as is achievable. This may mean using the bottom hole on the drags top link point and top hole on the tractors top link point. It is important to the function of the drag to ensure the machine is running level to allow optimum level of soil disturbance and to prolong the lifespan of the wearing parts.

Please ensure that the implement is mounted correctly.

Check that the hydraulic hoses (if relevant) are free of damage and not in a position to foul when lifting and lowering the drag on the tractors linkage.

Check that all nuts and bolts are firmly tightened

For folding machines, attach the hydraulics.

### **HYDRAULIC SYSTEM (Folding machines only)**

The hydraulic system is working under high pressure and is therefore potentially dangerous. It is very important that all hoses and connections are checked frequently for leakage and external damage.

The hydraulic hoses should not be connected to, or removed from the hydraulic system on the tractor unless the oil pressure in both the tractor and implement has been released.

Porous and defective hoses must always be replaced immediately.

Oil leakage from damaged hoses and connections can cause fatal injury and possible fire risk.

Always seek medical treatment immediately following any injury.

### **DEPTH WHEEL ADJUSTMENT**

Prior to starting work it is important to set the working depth of the machine using the depth wheels.

Remove the lower pin on the depth control adjuster and put the drag into work position in the ground and set the machine to the depth that you require and replace the pin into the nearest available hole setting to fix the height. Replace the higher of the 2 pins into the closest hole to the "stop" to avoid the wheel dropping every time you lift the drag out of the ground. Always adjust both sides to the same setting.

## Rules of Conduct for Operation

The following points must always be observed before the machine is started up and during operation:

- Never leave the machine unattended.
- Check the machine regularly for oil leakage. Replace defective components immediately.
- Do not use if any parts are found defective.
- Check the machine for dirt accumulation and keep the unit clean at all times.
- Perform regular maintenance checks to ensure faults are noticed.
- Perform a regular greasing routine. The machine needs to be well greased at all times.

## Rules of conduct when handling the hydraulic system

DANGER

The hydraulic system is under high pressure!

Fluids escaping under high pressure can penetrate the skin and cause serious injuries! If such injuries occur, call a doctor immediately as otherwise there is a risk of serious infection which can lead to death!

Consequently: Work only on the hydraulic system when the hydraulic system is depressurized and the drive is switched off.

Note

All components of the machine are driven hydraulically. Replace defective hose connections immediately. Do not attempt to repair damaged hoses.

## REVERSING/REPLACING THE POINTS

Only carry out reversing/replacing the points on solid ground conditions, e.g. cement/tarmac, to avoid the risk of sinking and potential injuries whilst changing the points. The implement must be raised on the tractor linkage and the tractor engine turned off. Remember to use the parking brake and/or wheel chocks to ensure that the tractor is held stable. It is important to support the drags weight with stands/chocks in the event of failure of the tractor hydraulics. Remember it is forbidden to work under a suspended load without the adequate support.

Once you are confident that you have met the safety standards required you can proceed;

Unbolt each worn point to free the worn point. A new point can then be replaced into the same position with the appropriate nut/bolt tightened up to secure it in position.

To reverse a point, simply turn the point around and re-bolt into position as above.

When you have finished replacing or reversing the points, remove the drag supports/chocks and lower the machine as in the Think Safety! section above until you are ready to move off.

## ROAD TRANSPORT

Before taking the tractor with the implement attached on to a public road, implements wider than 3m will require folding up into transport position. Wider rigid machines will require other transport methods.

The Department for Transport requires the maximum width of an agricultural machine to be 2.55m. However, under special circumstances Agricultural machines wider than 2.55m are permitted to use public roads. The Road Vehicles Order 2003 permits the road use of Agricultural vehicles that are up to 4.3 metres in width, subject to terms and conditions. The key ones are as follows:

**Width** – between 2.55m and 3m: speed must not exceed 20mph

**Width** – between 3m and 3.5m: maximum speed 20mph as above, plus if the journey is over 5 miles or the speed limit in the road is 40mph or lower, the operator must notify the Police in advance of the journey.

**Width** – between 3.5m and 4.3m: the Police must be notified, the maximum speed is limited to 12mph and the vehicle(s) must be accompanied by an attendant, who may ride in a different vehicle but must ensure no danger is cause to the vehicle or other road users. The police, following notification, may place restrictions on the use of the

vehicle in the interests of road safety or to avoid undue traffic congestion.

### **Acquiring spare parts**

Please quote the details on the type plate(s) as well as the machine's serial no. on every order for spare parts or accessories, or enquiries of a technical nature.

The use of spare parts supplied by others shall only be permitted after consultation with the manufacturer. Original spare parts and accessories authorised by the manufacturer ensure safe and reliable operation. The use of other parts may invalidate the liability of the manufacturer for any consequences arising from such use.

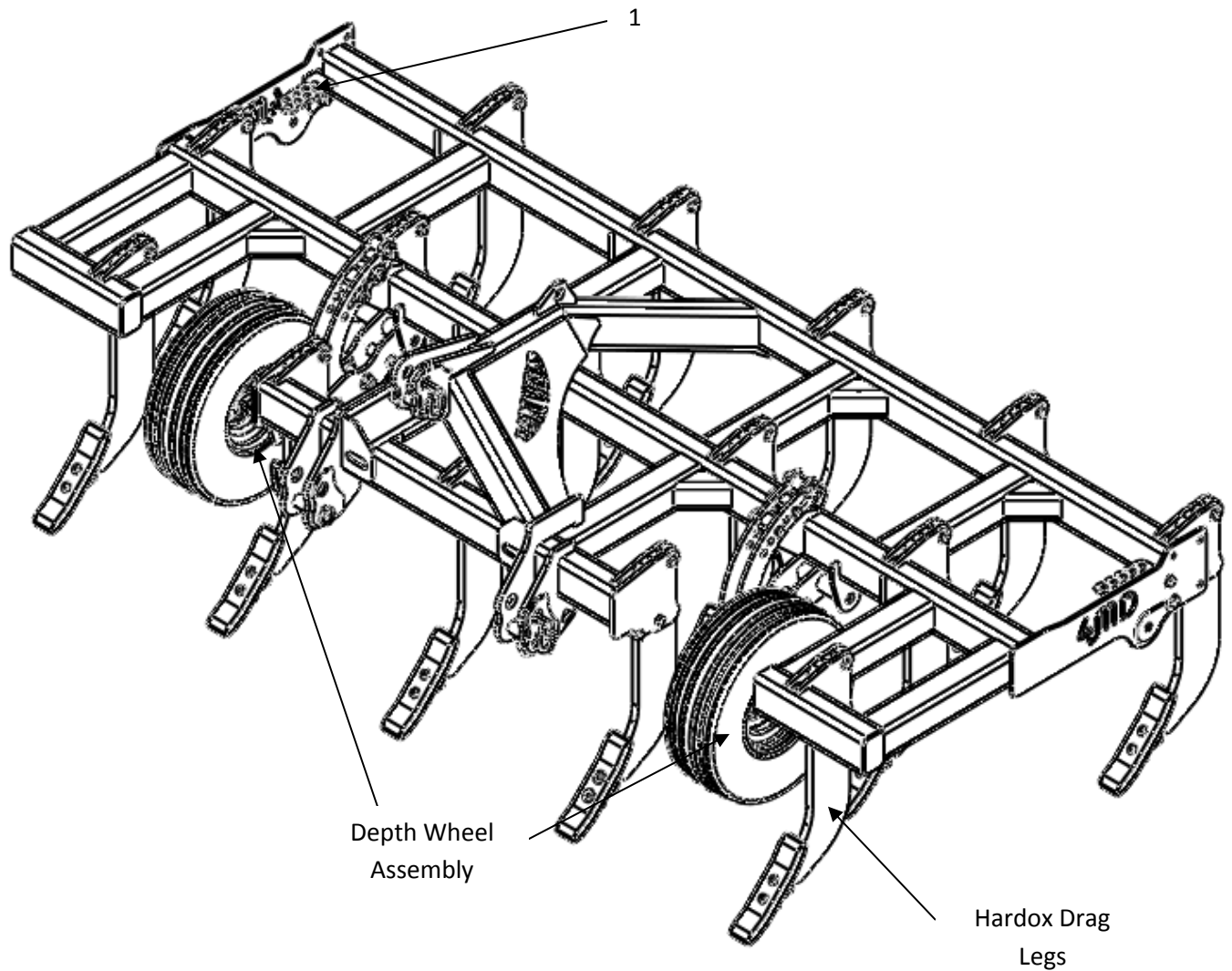
### **Disposing of replaced parts**

The following points should be observed before replacing or disposing of parts.

- Replaced parts, which still function, should be cleaned and stored in an orderly manner.
- Machine parts, which cannot be repaired should only be disposed of at appropriate collecting points or be collected by a scrap metal dealer.
- So-called "valuable" materials should be disposed of in a proper way, i.e. plastics, rubber, scrap metal, etc. should be recycled.
- Collect and dispose of old oil in accordance with the current regulations.

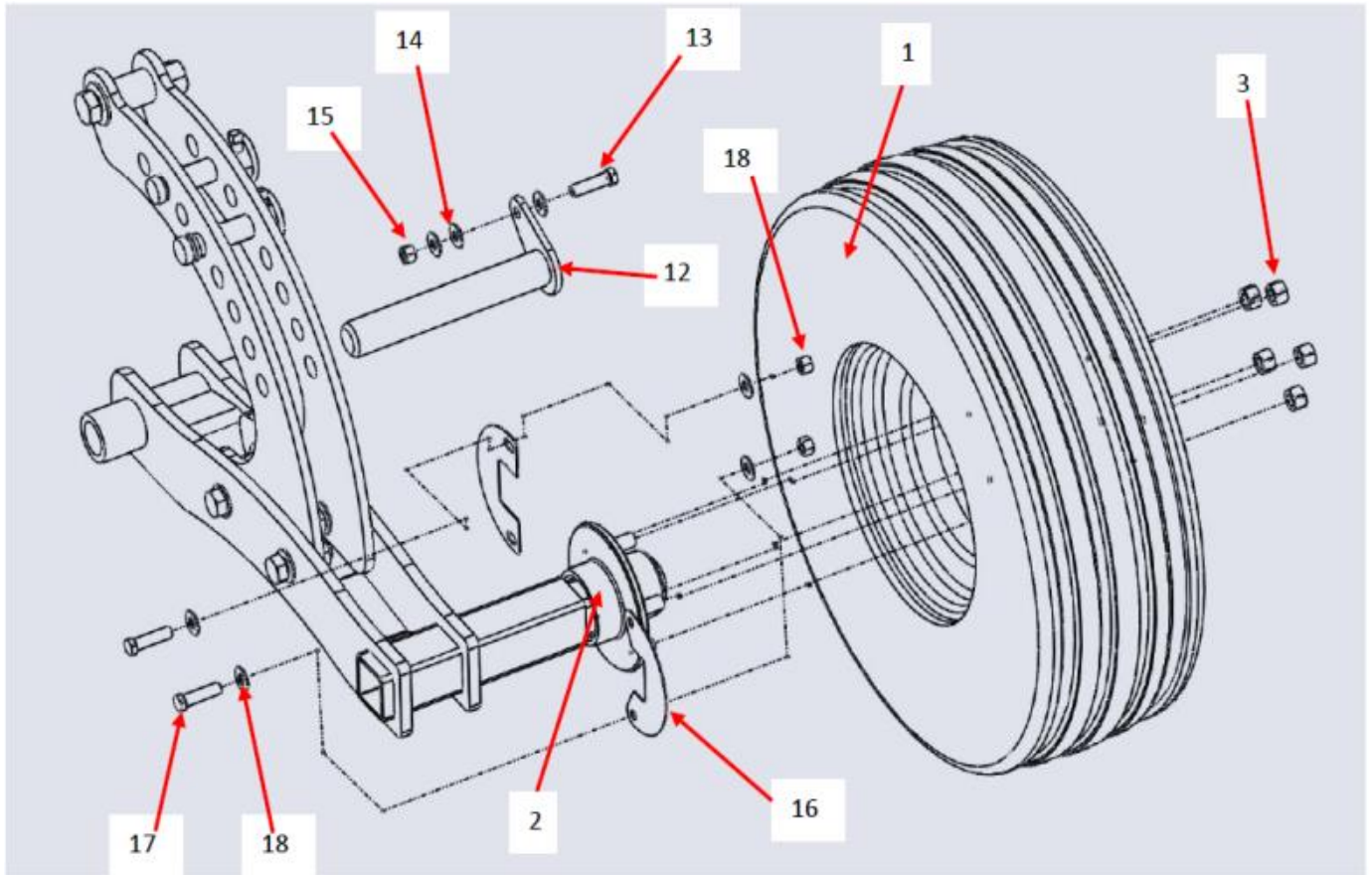


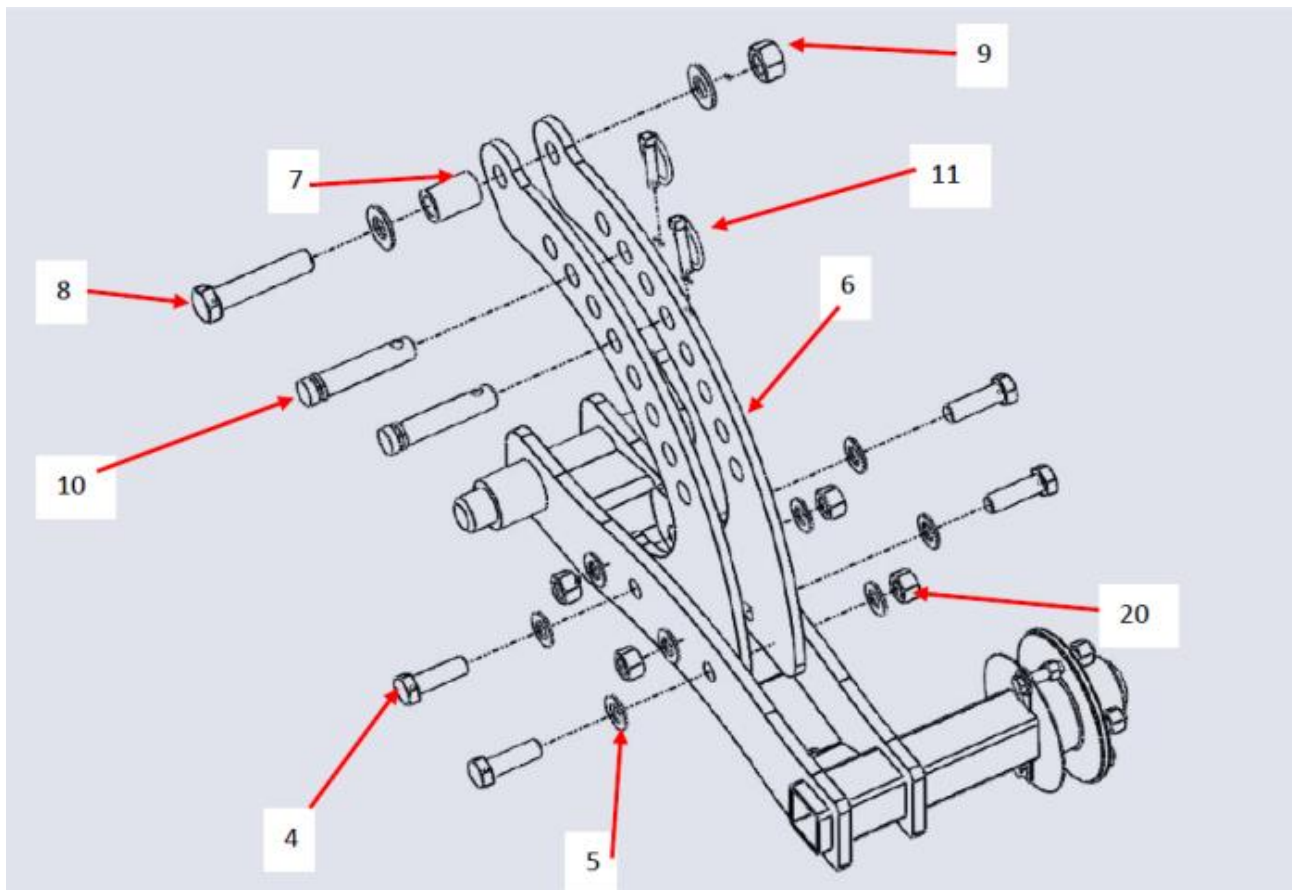
## Full Assembly



Item Number	Part Number	Description	Quantity per Machine
1	D4M_3001	Spare Shear Bolt Holder	2 (6 Shear Bolts in each side)

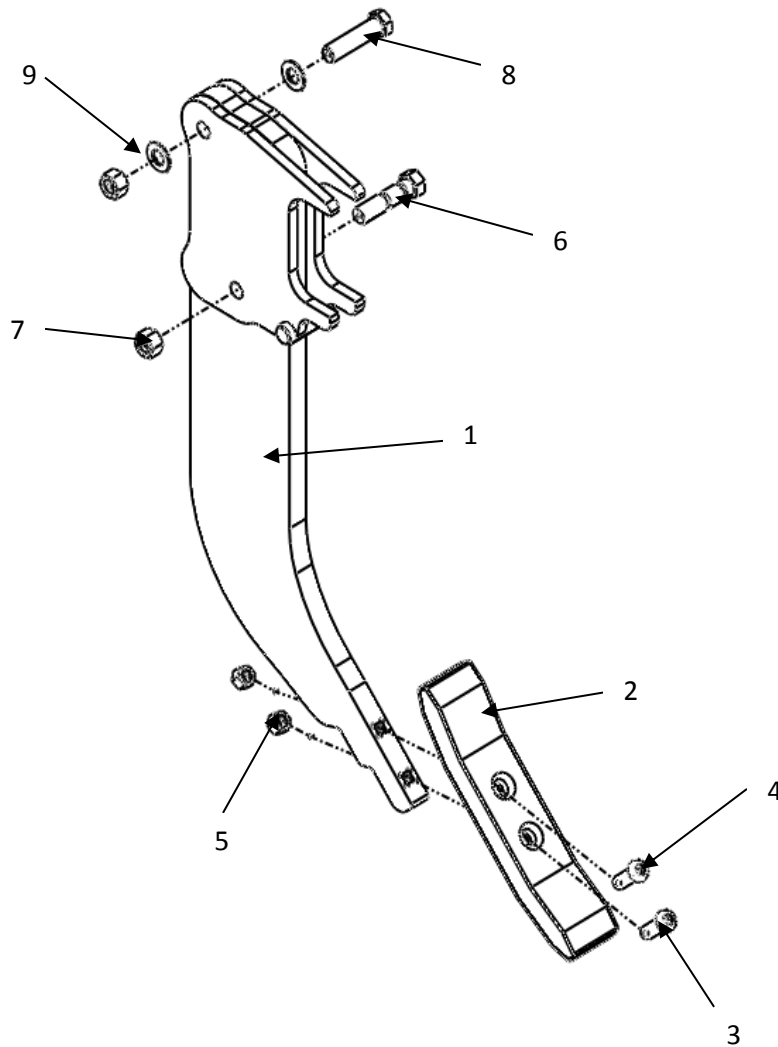
Depth Wheel



Depth Wheel cont...Depth Wheel Parts List

Item Number	Part Number	Description	Quantity per Depth Wheel
1	D4M_CWA12011	Depth Wheel	1
2	D4M_ S50JA0500250A0000001	Un braked Stub Axle	1
3	D4M_M16_DN	Stub Axle Dome Nut	5
4	D4M_M24_150	Depth Wheel Adjuster Bolt	4
5	D4M_M16_W	Adjuster Washer	8
6	D4M_1212	Wheel Adjustment Profile	2
7	D4M_50MM_SP	Depth Wheel Spacer	1
8	D4M_M24_120	Adjuster Stop	1
9	D4M_M24_NYL	Adjuster Stop Nut	1
10	D4M_Z325_095	Adjustment Pin	2
11	D4M_LP11KR	Linch Pin	2
12	D4M_1207	Depth Wheel Hinge Pin	1
13	D4M_M16_65	Hinge Pin Bolt	1
14	D4M_M16_W	Hinge Pin Washer	2
15	D4M_M16_NYL	Hinge Pin Nut	1
16	3.2m_Stainless_0202	Guard	1
17	D4M_M10_25	Guard bolt	2
18	D4M_M10_W	Guard Washer	4
19	D4M_M10_NYL	Guard Nut	2
20	D4M_M24_NYL	Depth Wheel Adjuster Nut	4

Drag Leg



Drag Leg Parts List

Item Number	Part Number	Description	Quantity per Machine
1	D4M_3001	Drag Leg	15
2	D4M_REV_PO	Reversible Rippra Point	15
3	D4M_M12_70_PIOV	Lower Point Plough bolt	15
4	D4M_M12_90_PLOV	Higher Point Plough bolt	15
5	D4M_M12_NYL	Point Nut	30
6	D4M_M20_SB	Shear Bolt	15
7	D4M_M20_Nyl	Shear Bolt / Fixed Point Nut	30
8	D4M_M20_90	Fixed Point Bolt	15
9	D4M_M20_W	Washer	30

Stickers

**AGRI WELD**

Sticker	Part number	Description	Quantity per Machine
	D5M_UJS	Green Union Jack Sticker  Size: (85mm x 55mm)	4
	D5M_RCS	Rhino Cultivation Sticker  Size: (160mm x 110mm)	2
	D5M_AGRIS	Green Agriweld Sticker  Size: (170mm x 80mm)	5
	D4M_GNS	Grease Sticker	2

### WARRANTY

Your Drag is covered for a period of 12 months from the date of delivery (which is recorded on our files) against faulty components and/or bad workmanship. Exclusions are: wearing parts, hydraulic hoses and fittings and shear bolts.

All our welders are coded to the relevant standard to manufacture your equipment,



and all products are checked for quality prior to delivery/collection.

We cannot be responsible for claims arising from ignorance, occurrences outside our control, such as accidents, malicious damage and non-maintenance.

### **WARRANTY CLAIMS FOR DAMAGE DURING TRANSIT**

Damage occurred during transit via an external haulier must be reported immediately upon unloading and signing for the item. The limit of our liability to undertake repairs to products damaged during transit is dependent on signing for any damaged product upon delivery as "DAMAGED".



**CE DECLARATION OF CONFORMITY**

The equipment which accompanies this declaration is in conformity with EU Directive(s):-

**2006/42/EC Machinery Directive**

Manufacturer Name:	Agriweld Ltd
Manufacturer Address:	Main Street Garton-on-the-Wolds Driffield East Yorkshire YO25 3ET
Product:	Drag
Product Options:	All
Individual Serial Number:	
Product Description:	AGRIWELD 4m Rigid Drag
Date of Last Load Test Report:	N/A
Supplementary Information:	
Authorised Signatory on Behalf of Manufacture:	
Name of Signatory:	Dawn Foster
Position in Company:	Director
Date of Issue:	