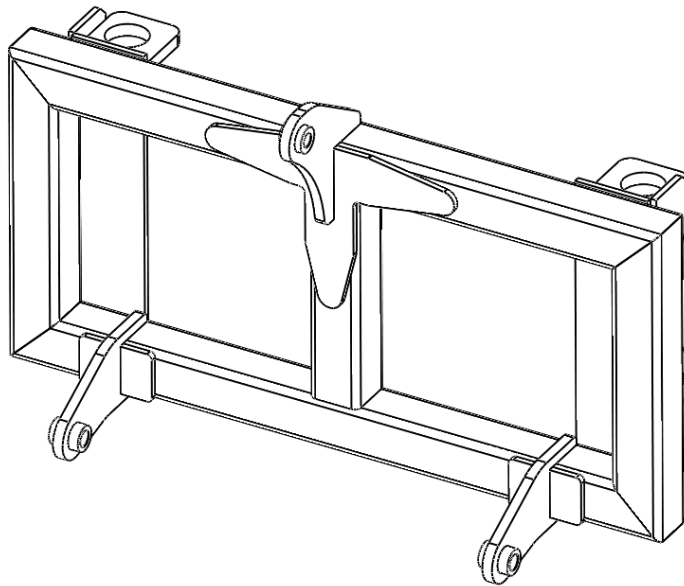


# AGRI WELD

## Operator Manual

### Matbro to 3 point linkage Adapter



**AGRI WELD**

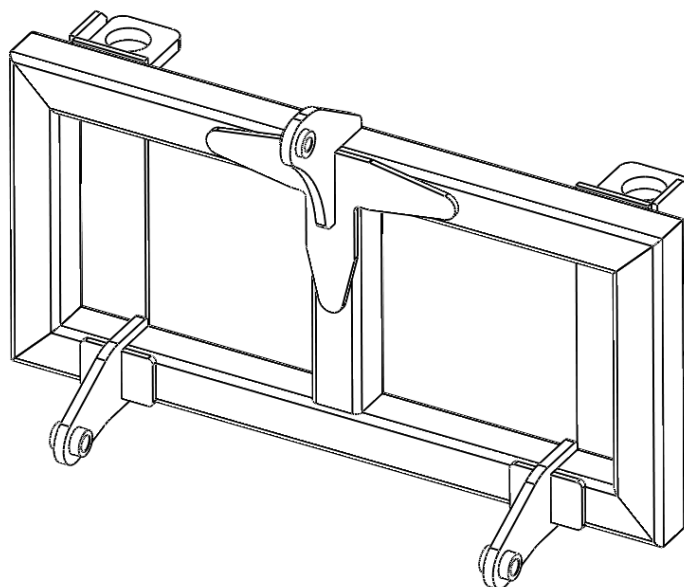
Main Street  
Garton-on-the-Wolds  
Driffield, YO25 3ET  
Tel: 01377 259140  
Email: [sales@agriweld.co.uk](mailto:sales@agriweld.co.uk)  
[www.agriweld.co.uk](http://www.agriweld.co.uk)

**CONTENTS**

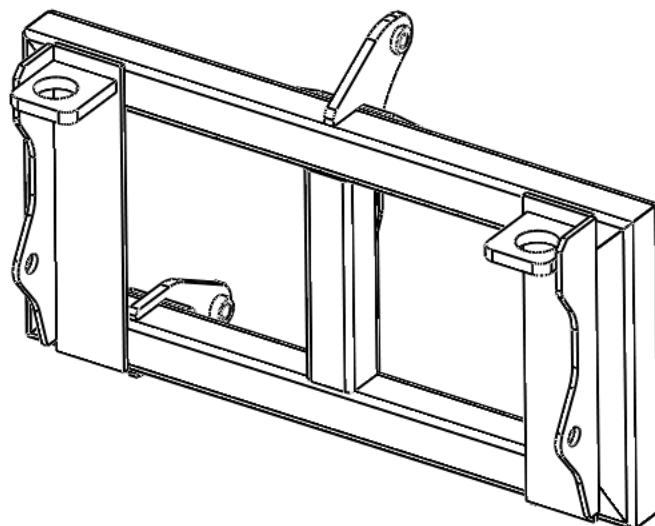
<b>Page 3</b>	Assembly
<b>Page 4</b>	Summary, Capacity & General Safety
<b>Page 5</b>	Qualifications and Training & Further Safety
<b>Page 6</b>	Special Safety Instructions & Important Maintenance
<b>Page 7</b>	Warranty
<b>Page 8</b>	Stickers
<b>Page 9</b>	CE Declaration of Conformity

**ASSEMBLY**

Front – 3 point linkage



Back – Matbro bracketing



**WEIGHT: 135KG**

**AGRI WELD**

## **SUMMARY**

The Adapter plate is designed to safely and efficiently act as an interface between material handling equipment and a single forklift/loader via the use of a dual sided bracket.

This operator manual is not confined to any one particular example/configuration.

The Adapter consists of a main frame fitted both sides with the bracketing relevant to the required configuration.

## **CAPACITY**

The Adapter has a safe working load (SWL) of 4 tonnes????

**PLEASE NOTE:** When fitted to any forklift/loader with a lift capacity less than 4 tonne reduces the safe working load (SWL) of the Adapter to that of the forklift/loaders capacity.

For example fitted to a 2 tonne forklift, the Adapter capacity is also reduced to 2 tonnes.

**Warranty claims arising from misuse and overload will not be covered!**

## **GENERAL SAFETY**

This manual must be provided to all persons concerned who will be involved with the setting up, operation, maintenance and use of the forklift/loader and Adapter. It must be available at all times.

If important safety instructions are not complied with, it can lead to the risk of injury to yourself and others as well as damage to property and the environment.

**NON COMPLIANCE WITH SAFETY INSTRUCTIONS CAN LEAD TO WARRANTY CLAIMS BECOMING INVALID.**

## **QUALIFICATIONS AND TRAINING**

Only personnel with the appropriate forklift/loader licence are authorised to use this implement.

Statutory minimum age limits must be observed and reliable personnel only should perform maintenance/work on this implement.

Persons undergoing training or instruction or taking part in a general training course should only use this implement under direct supervision of an *\*experienced* and trained person.

The use of spare parts, accessories and ancillary equipment not supplied or approved by Agriweld, could have detrimental effects to the construction or functions of the Adapter. Agriweld shall not be responsible for any damage caused by the use of spare parts or accessories and ancillary equipment not supplied or approved by Agriweld.

The operator must be aware of their responsibilities with regard to observing traffic regulations. The operator must have the authority to refuse instructions issued by third parties which contravene safety.

Any conversions or modifications to the Adapter may only be carried out after prior consultation and written confirmation from Agriweld.

***\*Experienced persons are classed as those individuals who have been trained, know current knowledge and skills or have participated in the use of the type of activity and equipment for several years.***

**PLEASE NOTE: All forklifts are subject to LOLER inspection/report by reputable engineers and records kept and maintained.**

## **FURTHER SAFETY**

Ensure that you are familiar with the equipment, controls and functions of the forklift or loader and Adapter before starting work.

Check round the Adapter for any noticeable damage, or missing parts before starting work.

It is advisable that the operator wears close fitting clothing to avoid the risk of snagging and trapping.

Ensure that you watch out for wandering individuals (particularly children!).

Remember to take into account the size of any attachments being moved and be aware of the sideways forces acting on the machine when turning and negotiating corners.

Always ensure adequate all round visibility.

## **SPECIAL SAFETY INSTRUCTIONS**

Take extra care when hitching up or un-hitching the Adapter to/from the forklift or loader. Be aware of what is under the Adapter and its load (such as your feet) before dropping off.

Ensure that the forklift or loaders hydraulic system is in full working order.

Never allow any person to stand between the forklift or loader and the Adapter during connection or at any time unless the forklift or loader is secured against rolling away by use of a parking brake and/or wheel chocks.

It is forbidden to allow any persons to ride or sit on the Adapter and its load at any time. Observers should maintain a safe distance when machine is in use.

When performing any adjustments to the Adapter or any equipment connected via the interface, the forklift or loader's engine must be switched off to prevent the hydraulics from operating and the forklift or loaders park brake must be applied to prevent the forklift/loader from accidentally rolling away. It is advisable to lower any mounted equipment to the ground for safety where possible.

The driving characteristics of the forklift/loader are influenced and altered by the attachment of mounted machines and it is important to ensure adequate steering and braking ability as required.

**NEVER walk or work under a suspended load. Always take measures to support the machine and its load to prevent crushing and/or death. Do not rely on the forklift/loader and Adapter alone if you are working under a suspended load. Always use supports for example trestles or a frame capable of taking the load.**

## **IMPORTANT MAINTENANCE**

There are no mechanical parts associated with your adapter plate although please follow the checks below regularly to ensure that any noticeable damage or faults are noticed by the operator.

- Before use, always check round the Adapter to ensure no damage has occurred and that the machine appears safe to use.
- Keep the Adapter clean at all times to enable users to perform visual check for damage/faults.
- Ensure that the forklift /loader is in full working order and that the Adapter is attached to the forklift/loader correctly before starting work.

## **WARRANTY**

Your Agriweld Adapter is covered for a period of 12 months from the date of dispatch (which is recorded on our files) against faulty components and/or bad workmanship.

Our welders are coded to BS EN 287-1 and our welding procedures are approved in accordance with: BS EN ISO 15614-1 to manufacture your equipment and all products are checked for quality prior to dispatch/collection.




We cannot be responsible for claims arising from ignorance, occurrences outside our control, such as accidents, and malicious damage.

Damage occurred during transit must be reported on signing for the item from the haulier to enable us to make a claim for damages caused during transport.

### **WARRANTY CLAIMS FOR DAMAGE DURING TRANSIT**

Damage occurred during transit via an external haulier must be reported immediately upon unloading and signing for the item. The limit of our liability to undertake repairs to products damaged during transit is dependent on signing for any damaged product upon delivery as "DAMAGED".

**STICKERS**

Stickers	Part Number	Description	Quantity
	<p>AW_QS_LS (460mm x 90mm)</p>	<p>Agriweld sticker</p>	<p>2</p>
	<p>AW_QS_AS (185 mm x 85mm)</p>	<p>Agriweld sticker</p>	<p>3</p>
	<p>AW_QS_GB (85mm x 50mm)</p>	<p>Great Britain sticker</p>	<p>2</p>





**CE DECLARATION OF CONFORMITY**

The equipment which accompanies this declaration is in conformity with EU Directive(s):-

**2006/42/EC Machinery Directive**

Manufacturer Name: Agriweld Ltd

Manufacturer Address: Main Street  
Garton-on-the-Wolds  
Driffield  
East Yorkshire  
YO25 3ET

Product: Matbro to 3 point linkage Adapter

Product Options: All

Individual Serial Number:

Product Description: Heavy duty Matbro to 3 point linkage Adapter

Supplementary Information: Weight 135kg

Authorised Signatory on Behalf of Manufacturer: 

Name of Signatory: Dawn Foster

Position in Company: Director

Date of Issue:

**AGRI WELD****AGRI WELD**