

1 2 3 4 5 6

A

A

B

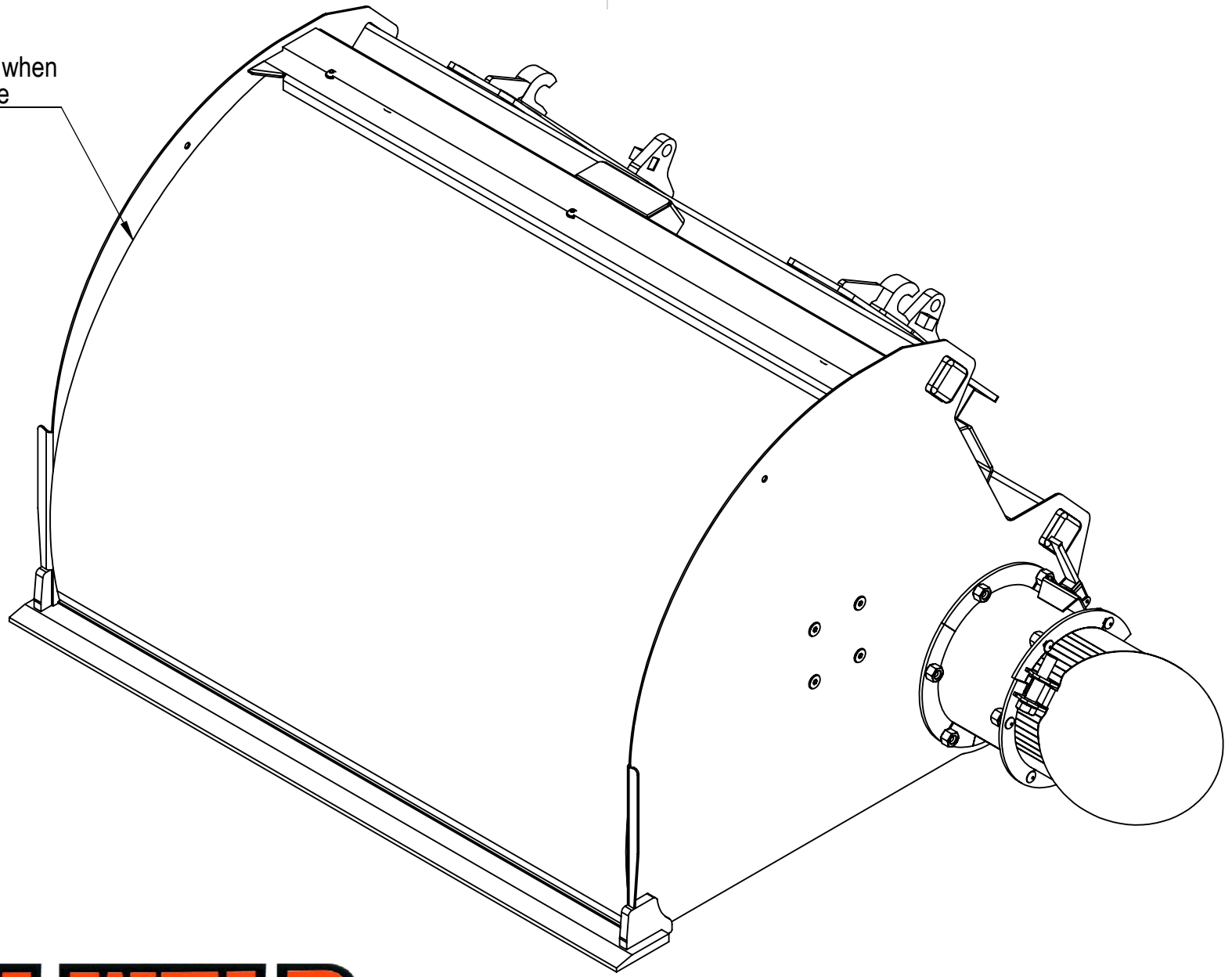
B

C

C

D

1.4 cum
approximately when
filled to this line



AGRI-WELD

FG
A

MATERIAL:

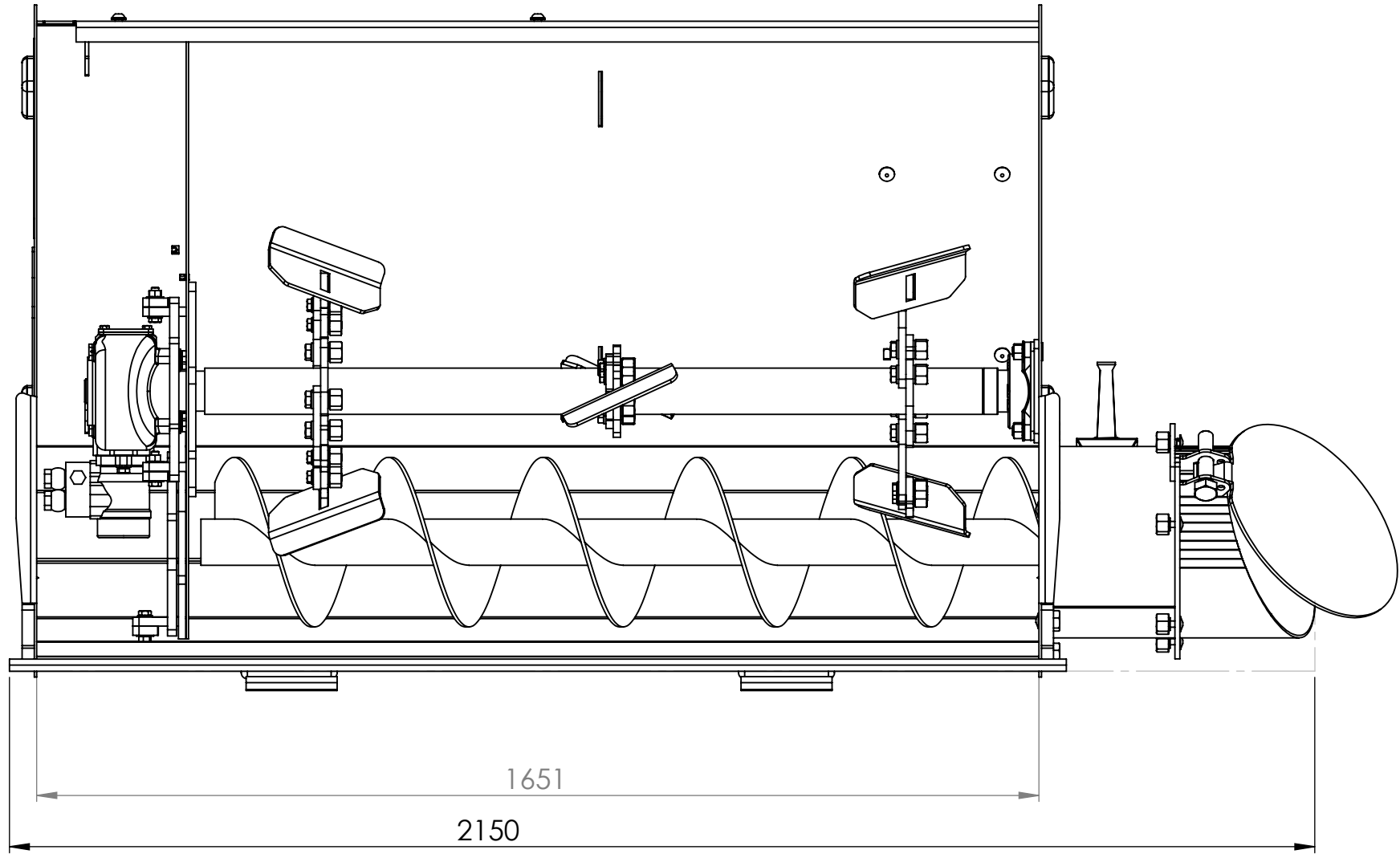
DWG NO. 2015_Mini_Mixer_01 A4

1 2 3 4 5 6

WEIGHT:

SCALE:1:50

SHEET 1 OF 4



AGRI-WELD

PPVD
FG
A

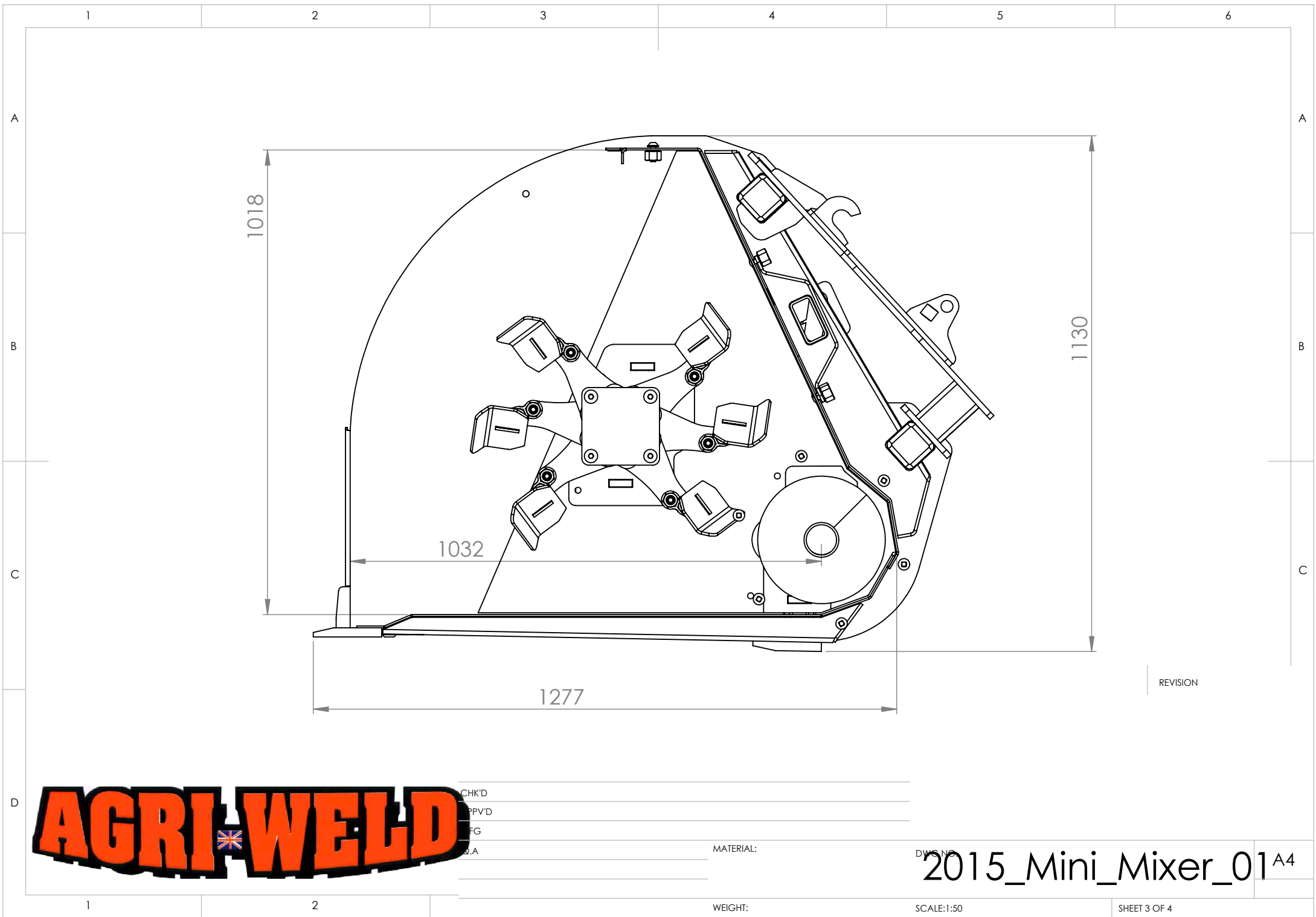
MATERIAL:

DWG NO. 2015_Mini_Mixer_01 A4

WEIGHT:

SCALE: 1:50

SHEET 2 OF 4



AGRI-WELD

CHK'D _____
 APPV'D _____
 FG _____
 S.A _____

MATERIAL:

WEIGHT:

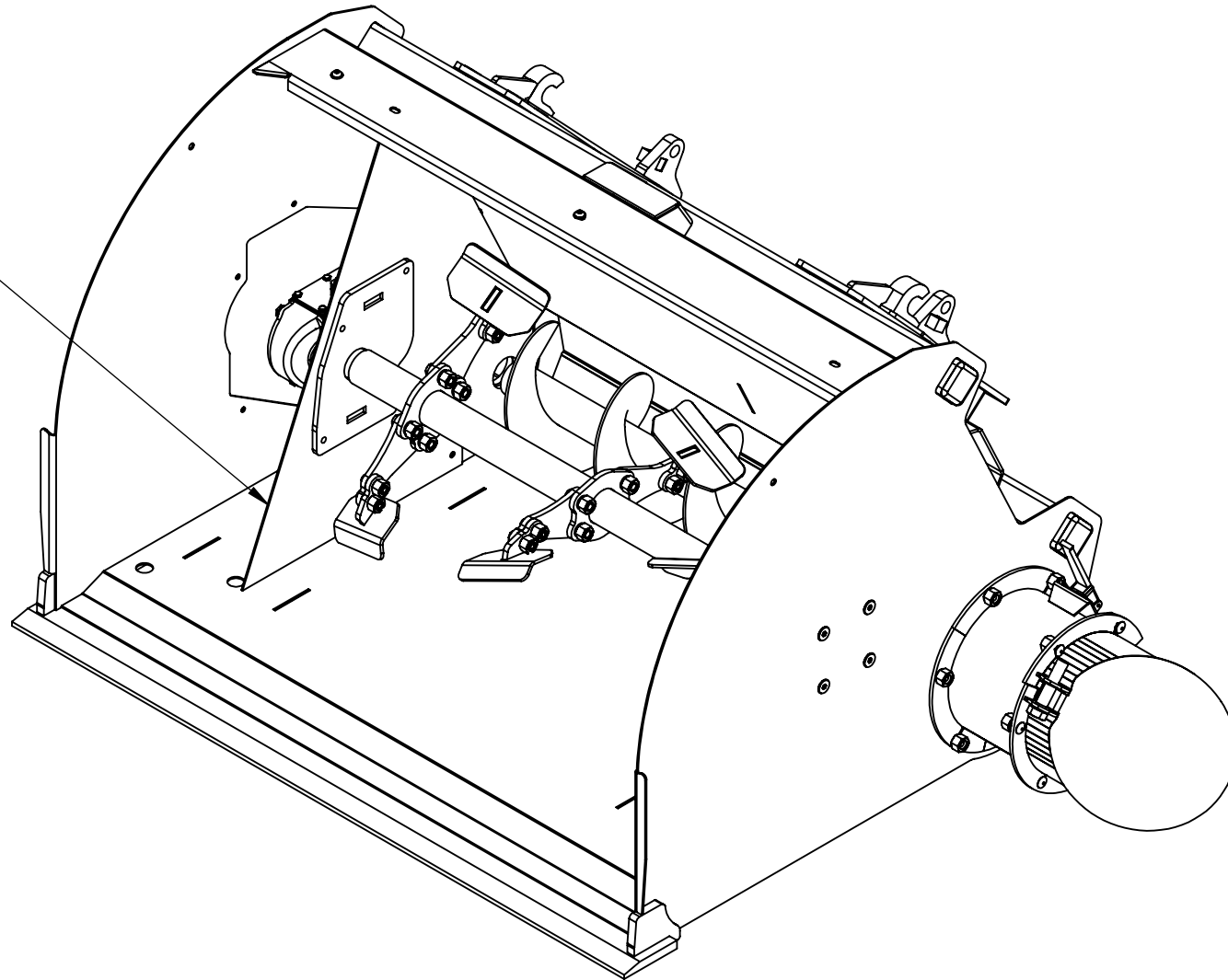
DWG NO. 2015_Mini_Mixer_01 A4

SCALE:1:50

SHEET 3 OF 4

Weight Approximately
550kg

Panel removed
to show
gearboxes



AGRI-WELD

MATERIAL:

2015_Mini_Mixer_01^{A4}

WEIGHT:

SCALE:1:50

SHEET 4 OF 4