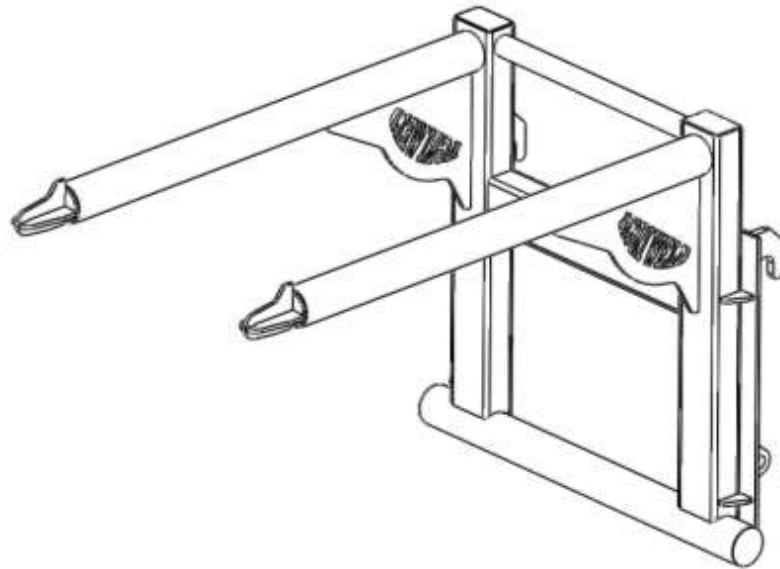


# AGRI WELD

## OPERATOR MANUAL

### Bag Lift



The Workshops  
Main Street  
Garton-on-the-Wolds  
Driffield, YO25 3ET  
Tel: 01377 259140  
Fax: 01377 259141

Email: [sales@agriweld.co.uk](mailto:sales@agriweld.co.uk)

**AGRI WELD**

[www.agriweld.co.uk](http://www.agriweld.co.uk)

## Contents Page

<b>Page 3</b>	Summary and General Safety
<b>Page 4</b>	Qualifications and Training
<b>Page 5</b>	Further Safety & Special Safety Instructions
<b>Page 6</b>	Safety First & Operation
<b>Page 7</b>	Fixed Bag Lift Full Assembly
<b>Page 8</b>	Adjustable Bag Lift
<b>Page 9</b>	Stickers
<b>Page 10</b>	Warranty
<b>Page 11</b>	Declaration of Conformity

## **Summary**

The Agriweld Bag Lift is an implement used for carrying and transporting 4 x 600kg fertiliser/feed bags. It is designed to fit any forklift/loader by use of the relevant bracketing which is provided with the implement.

It is designed and manufactured by Agriweld in Great Britain.

## **General Safety**

This manual must be provided to all persons concerned who will be involved with the setting up, operation, maintenance and use of the forklift/loader and the bag lift and must be available at all times.

If important safety instructions are not complied with, it can lead to the risk of injury to yourself and others as well as damage to property and the environment.

### **PLEASE NOTE**

NON COMPLIANCE WITH SAFETY INSTRUCTIONS CAN LEAD TO WARRANTY CLAIMS BECOMING INVALID.

## **Qualifications and Training**

Only personnel with the appropriate forklift license is authorised to use this machine.

Statutory minimum age limits must be observed and reliable personnel only should perform maintenance work on this implement.

Persons undergoing training or instruction or taking part in a general training course should only use this machine under direct supervision of an experienced and trained person.

The use of spare parts, accessories and ancillary equipment not supplied or approved by Agriweld could have detrimental effects to the construction or functions of the Agriweld Bag Lift. Agriweld shall not be responsible for any damage caused by the use of spare parts or accessories and ancillary equipment not supplied or approved by Agriweld.

The operator must be aware of their responsibilities with regard to observing traffic regulations. The operator must have the authority to refuse instructions issued by third parties which contravene safety.

Any conversions or modifications to the machine may only be carried out after prior consultation and written confirmation from Agriweld.

## **Further Safety**

Any warning signs/instructions on the implement provide important information and must be observed.

Ensure that you are familiar with the equipment, forklift controls and functions before starting work.

Check round the implement for any noticeable damage, or missing parts before starting work.

It is advisable that the operator wears close fitting clothing to avoid the risk of snagging and trapping.

Ensure that you watch out for wandering individuals (particularly children!).

Always match your speed to the conditions and speed limits imposed.

**Remember to take into account the size of any attachments to the forklift/loader you may have and be aware of the sideways forces acting on the machine when turning and negotiating corners. Always ensure adequate all round visibility.**

## **Special Safety Instructions**

Take extra care when hitching up or un-hitching the bag lift to/from the forklift/loader. Be aware of what is under the bag lift (such as someone's feet) before dropping it off.

Ensure that the forklift/loaders hydraulic system is in full working order.

Never allow any person to stand between the forklift/loader and the bag lift during connection or at any time unless the forklift/loader is secured against rolling away by use of a parking brake and/or wheel chocks.

It is forbidden to allow any persons to ride or sit on the bag lift at any time. Observers should maintain a safe distance when machine is in use.

When performing any adjustments to the bag lift the forklift/loader engine must be switched off to prevent the hydraulics from operating.

The driving characteristics of the forklift/loader are influenced and altered by the attachment of mounted machines and it is important to ensure adequate steering and braking ability as required.

## **Safety First**

**Everyone is responsible for Health and Safety! Please operate your forklift or loader with this implement attached in a sensible and safe manner. Be aware of the safety of others at all times.**

## **Operation**

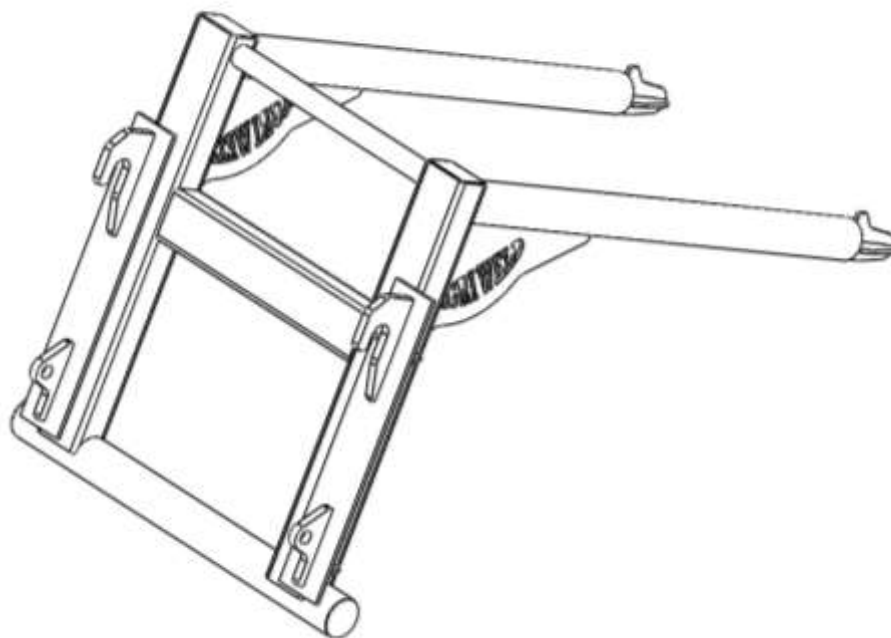
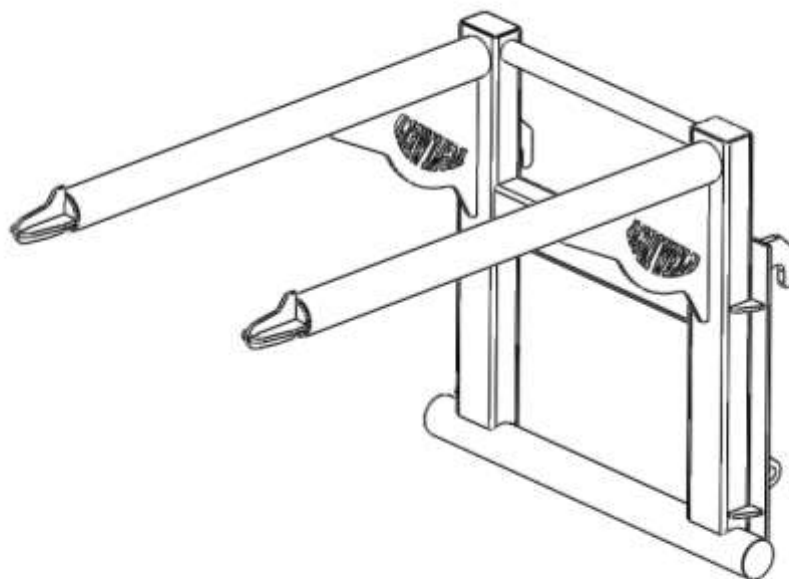
### **GENERAL DO'S & DON'T'S**

After taking note of the recommended safety instructions in this manual, here are a few other recommendations you will need to follow.

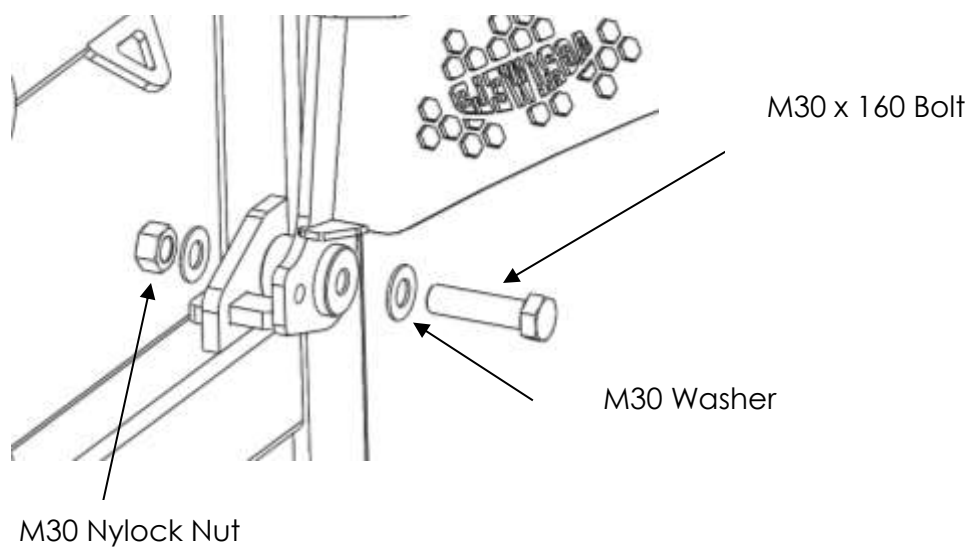
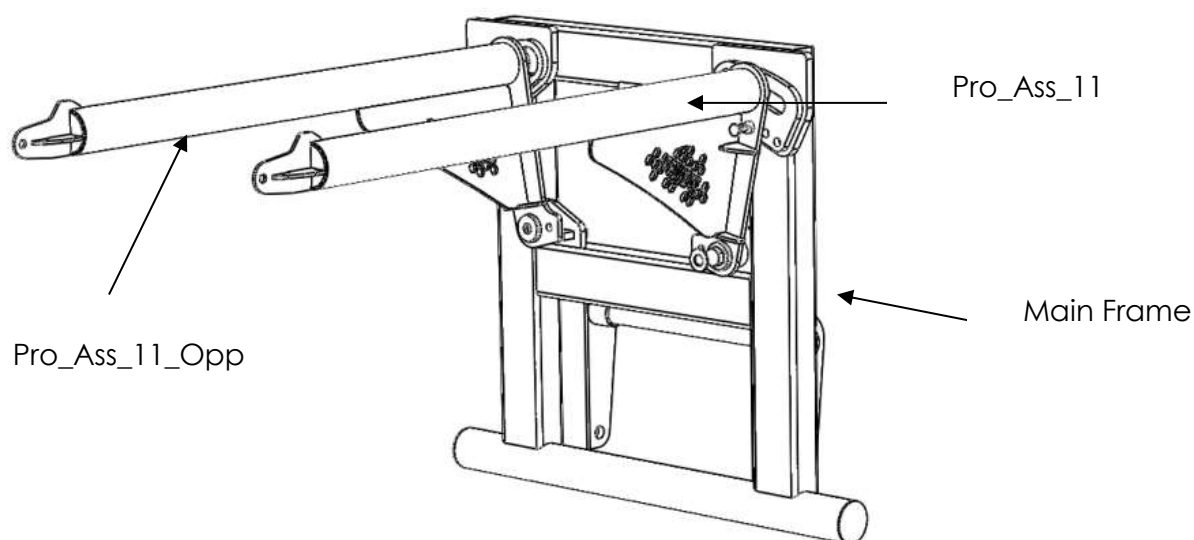
1. Ensure that the bag lift is attached to the forklift/loader correctly and any locking pins are located securely.
2. Ensure that the forklift/loaders hydraulic system is in full working order prior to use.
3. Allow time on first use to get used to the forklift/loader with the implement attached.
4. Manoeuvre around at a very slow pace and ensure that there are no spectators within close proximity.
5. SAFETY FIRST: We are all responsible for Health and Safety so please use this implement responsibly.

**DO ENJOY USING YOUR BAG LIFT & REMEMBER TO LOOK AFTER IT**

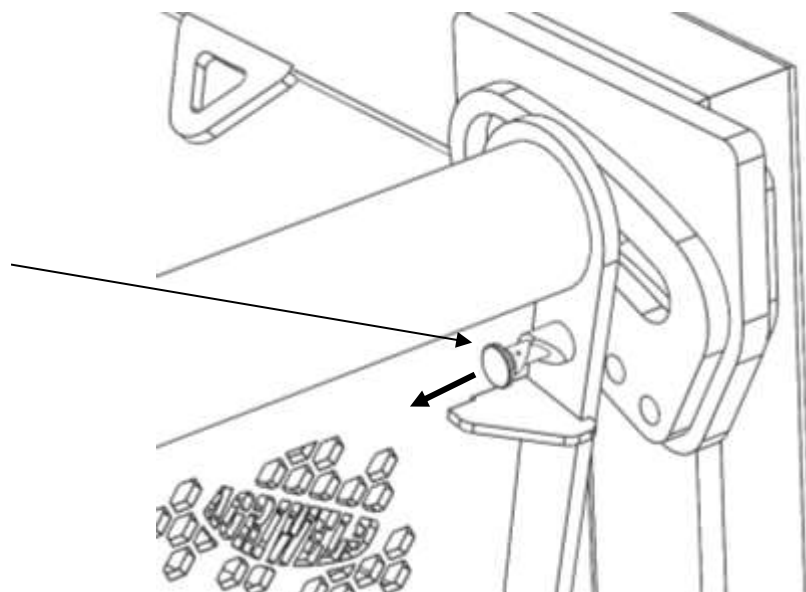
**Fixed Bag Lift Full Assembly**



## Adjustable Bag Lift







To adjust bag lift arms, pull out locking mechanism in the direction as shown below. Pivot the arm left or right until it's in the desired position. Please ensure the locking mechanism is properly secured into the holes to stop the arm moving when using the bag lift.





### Stickers

Sticker	Part number	Description	Quantity per Machine
	AW_BL_AS  (185 mm x 85mm)	Agriweld Sticker	1
	AW_BL_GB  (85mm x 50mm)	Great Britain Sticker	2
	AW_LG_SR	Agriweld Sticker	1
	AW_180_OM	Read operator manual sticker	1

### Warranty

Your Agriweld Bag Lift is covered for a period of 12 months from the date of dispatch (which is recorded on our files) against faulty components and/or bad workmanship.

Our welders are coded to ISO 9606-1 and our welding procedures are approved in accordance with ISO 15614-1 to manufacture your equipment. All products are checked for quality prior to delivery/collection.

We cannot be responsible for claims arising from ignorance, occurrences outside our control, such as accidents, and malicious damage and non-compliance with safety instructions.

Any damage occurred during transit must be reported on signing for the item from the haulier to enable us to enter a claim for damages direct with the haulier.

### WARRANTY CLAIMS FOR DAMAGE DURING TRANSIT

**Damage occurred during transit via an external haulier must be reported immediately upon unloading and signing for the item. The limit of our liability to undertake repairs to products damaged during transit is dependent on signing for any damaged product upon delivery as "DAMAGED".**

**CE DECLARATION OF CONFORMITY**

The equipment which accompanies this declaration is in conformity with EU Directive(s):-

**2006/42/EC Machinery Directive**

Manufacturer Name:	Agriweld Ltd
Manufacturer Address:	Main Street Garton-on-the-Wolds Driffield East Yorkshire YO25 3ET
Product:	Bag Lift
Product Options:	All
Individual Serial Number:	
Product Description:	AGRIWELD Bag Lift used for carrying/transporting 4 x 600kg fertiliser/feed bags.
Date of Last Load Test Report:	N/A
Supplementary Information:	
Authorised Signatory on Behalf of Manufacture:	 
Name of Signatory:	Dawn Foster
Position in Company:	Director
Date of Issue:	

