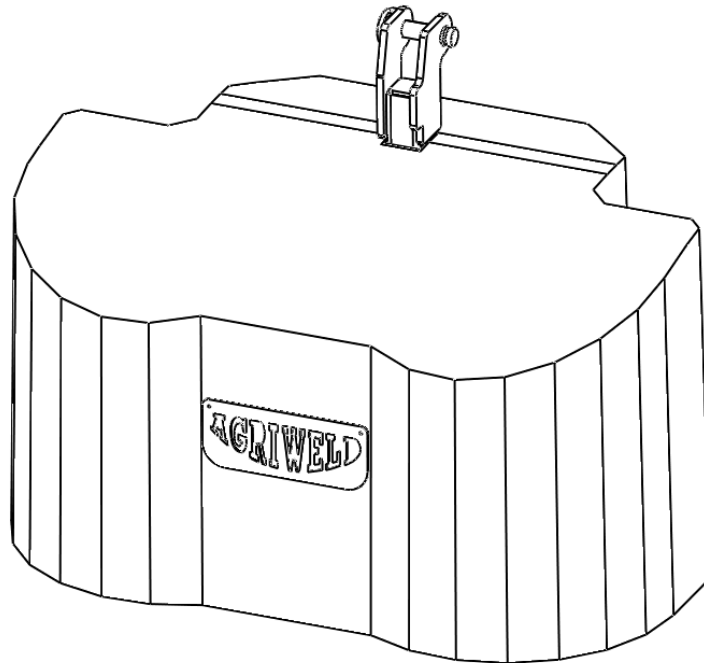


# AGRIWELD

## Operator Manual

### Cast Concrete Weight Block

1000kg



Main Street  
Garton-on-the-Wolds  
Driffield, YO25 3ET  
Tel: 01377 259140  
Fax: 01377 259141  
Email: [sales@agriweld.co.uk](mailto:sales@agriweld.co.uk)  
[www.agriweld.co.uk](http://www.agriweld.co.uk)



## CONTENTS

<b>Page 3</b>	Summary, General Safety
<b>Page 4</b>	Qualifications & Training & Further Safety
<b>Page 5</b>	Special Safety Instructions & Important Maintenance
<b>Page 6</b>	Risks of Overloading
<b>Page 7-8</b>	Risk Assessment
<b>Page 9</b>	Full Assembly & Parts List
<b>Page 10</b>	Warranty
<b>Page 11</b>	CE Declaration of Conformity

## Summary

The Agriweld Concrete Weight is designed to fit any tractor by use of a front linkage. Designed and manufactured by Agriweld in Great Britain, it has several main uses;

As a ballast weight the Agriweld Concrete Weight adds 1000kg to the tractor front end and assists in utilising the full power of the tractor whilst in the field and balances the tractor whilst moving heavy loads on the road.

The compact design of the Agriweld Concrete Weight is close coupled and provides a cost effective way to add ballast simply.

**WARNING: Due to the compact style the Concrete Weight may not be fully visible to the driver at all times. Therefore it is the driver's responsibility to remember the weight is attached to the tractor when approaching junctions and corners etc.**

## General Safety

This manual must be provided to all persons concerned who will be involved with the setting up, operation, maintenance and use of the tractor and Agriweld Concrete Weight. It must be available at all times.

If important safety instructions are not complied with, it can lead to the risk of injury to you and others as well as damage to property and the environment.

**NON-COMPLIANCE WITH SAFETY INSTRUCTIONS CAN LEAD TO  
WARRANTY CLAIMS BECOMING INVALID**

## **Qualifications and Training**

- Only personnel with the appropriate licence is authorised to use this Weight.
- Statutory minimum age limits must be observed and reliable personnel only should perform maintenance/work on this Weight.
- Persons undergoing training or instruction or taking part in a general training course should only use this Weight under direct supervision of an experienced and trained person.
- The use of spare parts, accessories and ancillary equipment not supplied or approved by Agriweld could have detrimental effects to the construction or functions of the Agriweld Weight.
- Agriweld shall not be responsible for any damage caused by the use of spare parts or accessories and ancillary equipment not supplied or approved by Agriweld.
- The operator must be aware of their responsibilities with regard to observing traffic regulations. The operator must have the authority to refuse instructions issued by third parties which contravene safety.
- Any conversions or modifications to the machine may only be carried out after prior consultation and written confirmation from Agriweld.

## **Further Safety**

- Ensure that you are familiar with the equipment, controls and functions before starting work.
- Check around the machine for any noticeable damage or missing parts before starting work.
- It is advisable that the operator wears close fitting clothing to avoid the risk of snagging and trapping.
- Ensure that you watch out for wandering individuals (particularly children!).
- Always match your speed to the conditions and legal speed limits. Observe and respect traffic regulations when using public roads.
- Remember to take into account the size of any attachments to the tractor you may have and be aware of the sideways forces acting on the machine when turning and negotiating corners. Always ensure adequate all round visibility.
- The driving characteristics of the forklift/loader/tractor are influenced and altered by the attachment of mounted machines and it is important to ensure adequate steering and braking ability as required.

### **Special Safety Instructions**

- Take extra care when hitching up or un-hitching the weight to/from the tractor. Be aware of what is under the weight (such as your feet) before dropping it off.
- Ensure that the tractor's hydraulic system is in full working order.
- Never allow any person to stand between the tractor and the weight during connection or at any time unless the tractor is secured against rolling away by use of a parking brake and/or wheel chocks.
- It is forbidden to allow any persons to ride or sit on the weight at any time. Observers should maintain a safe distance when machine is in use.
- When performing any adjustments to the machine the tractor engine must be switched off to prevent the hydraulics from operating.
- Ensure that any items stored in the toolboxes are secured by closing the lid.
- Take care when attaching weight to tractors 3-point linkage as the operator could trap their fingers in the linch pins.

### **Important Maintenance**

It is important to check all pins for wear and ensure that none show significant signs of wear or damage.

Keep the weight clean at all times.

**PLEASE NOTE: In the event of a collision the Concrete Weight may become damaged, this could include the concrete chipping or cracking off.**



### **RISKS OF OVERLOADING**

It is your responsibility to check the maximum load capacity of your tractor chassis/front linkage, before ordering your ballast weight to ensure that you do not exceed the recommendations advised by the tractor/front linkage manufacturer.

Agriweld will accept no responsibility for damage or injury occurred by attaching a ballast weight that exceeds the maximum capacity advised by the tractor/front linkage manufacturer.

## Weight Block Risk Assessment

**Date risk assessment completed:** Reviewed October 2018 – to review again in 1 year or sooner if required  
**Organisation name:** Agriweld Ltd

**MACHINERY TYPE:** Ballast weight 500kg - 2500kg

**Description:** An attachment for the front or rear of a tractor as a counter balance for the tractor when using other attachments. [Attaching via a front linkage or bolster fitting with various weights ranging from 500kg – 2500kg.](#)

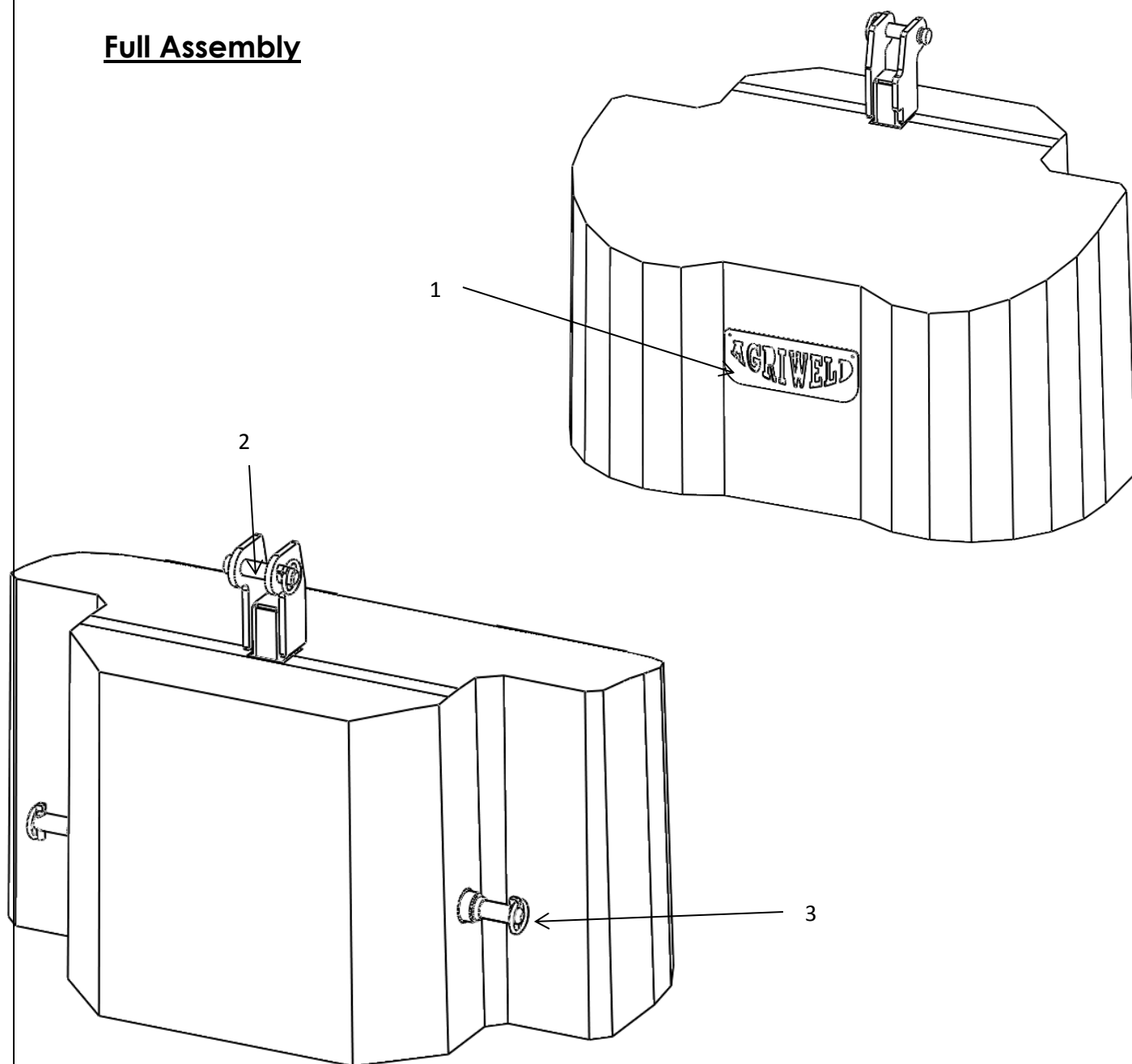
<i>What are the hazards?</i>	<i>Who might be harmed and how?</i>	<i>Risk evaluation Levels 1-5 (1 = Low risk, 5 = High risk)</i>	<i>Precautions in place</i>	<i>Further action required/notes?</i>
Weight block detaching causing crushing/trapping	Operators and bystanders if weight falls unexpectedly or whilst attaching to tractor linkage, trapping limbs or being crushed	2	Operator manual stipulates information on the correct use, capacity and to check connection to the tractor prior to use each time for signs of damage or missing parts that could be responsible. Regularly check/replace linkage and lynch pins if deemed faulty or missing. Note in manual references not standing in between the tractor linkage and the weight during attachment/detachment and at all times.	Continue to ensure every customer receives an operator manual and review/update all safety measures as required. Online version of manual available on Agriweld website at all times.
Lack of operator training/ignorance causing accident	Operator and bystanders	3	Operator manual states all operators of the tractor must have a valid licence/experience.	Maintain the availability of the operator manual on line as well as paper copy so that it can be available 24 hours a day if required.
Worn parts and non-maintained attachments can become loose on connection	Operator and bystanders. Aged or worn linkage parts causing poor connection on tractor and coming loose	2	Notes in the operator's manual inform operators to keep the weight clean and inspect prior to each use noting any areas of concern/damage, missing parts and wear. Operator manual states not to use the weight if there are any parts damaged or missing.	Operator manual advises regular maintenance checks
Knocks to individuals-wandering into the	Bystanders walking directly into the	1	Operators advised to be aware of wandering individuals	See safety notes in operator's manual

## Weight Block Risk Assessment

<i>What are the hazards?</i>	<i>Who might be harmed and how?</i>	<i>Risk evaluation Levels 1-5 (1 = Low risk, 5 = High risk)</i>	<i>Precautions in place</i>	<i>Further action required/notes?</i>
path of the weight whilst attached to tractor.	weight by not paying attention when around the tractor and weight			
Malicious damage	All	1	Operator manual states weight block should be checked over prior to first use which would alert the operator of any missing or damaged parts	See notes in operator's manual
Overloading tractor chassis/front linkage- causing failure of tractor linkage	Operator and general public	2	Initial sales enquiry picks up any unusually heavy requests for front linkage mounted models. For bolster/direct chassis mounted models, sales staff are particularly careful with requested weights. Anything unusual is referred to design for approval or rejection and anything detrimental/unsafe is refused.  Operator manual states that riding or carrying anything on the weight whilst connected is prohibited.	Risk of overloading section listed in operator's manual



**Full Assembly**



Item Number	Part Number	Description	Quantity per machine
1	AW_Con_Logo	Agriweld Logo	1
2	AW_25x100_TLP	Top Link Pin	1
3	AW_LP11Z	11mm Linch Pin	3

## Warranty

Your Agriweld Cast Concrete Weight Block is covered for a period of 12 months from the date of dispatch (which is recorded on our files) against faulty components and/or bad workmanship.

Our welders are coded to ISO 9606-1 and our welding procedures are approved in accordance with ISO 15614-1 to manufacture your equipment. All products are checked for quality prior to delivery/collection.

We cannot be responsible for claims arising from ignorance, occurrences outside our control, such as accidents, and malicious damage and non-compliance with safety instructions.

Any damage occurred during transit must be reported on signing for the item from the haulier to enable us to enter a claim for damages direct with the haulier.


### WARRANTY CLAIMS FOR DAMAGE DURING TRANSIT

**Damage occurred during transit via an external haulier must be reported immediately upon unloading and signing for the item. The limit of our liability to undertake repairs to products damaged during transit is dependent on signing for any damaged product upon delivery as "DAMAGED".**

## CE DECLARATION OF CONFORMITY

The equipment which accompanies this declaration is in conformity with EU Directive(s):-

### 2006/42/EC Machinery Directive

Manufacturer Name:	Agriweld Ltd
Manufacturer Address:	Main Street Garton-on-the-Wolds Driffield East Yorkshire YO25 3ET
Product:	Concrete Weight Block 1000kg
Product Options:	All
Individual Serial Number:	
Product Description:	Agriweld Concrete Weight adds 1000kg to the tractor front end and assists in utilising the full power of the tractor whilst in the field and balances the tractor whilst moving heavy loads on the road.
Date of Last Load Test Report:	
Supplementary Information:	
Authorised Signatory on Behalf of Manufacturer:	
Name of Signatory:	Dawn Foster
Position in Company:	Director
Date of Issue:	