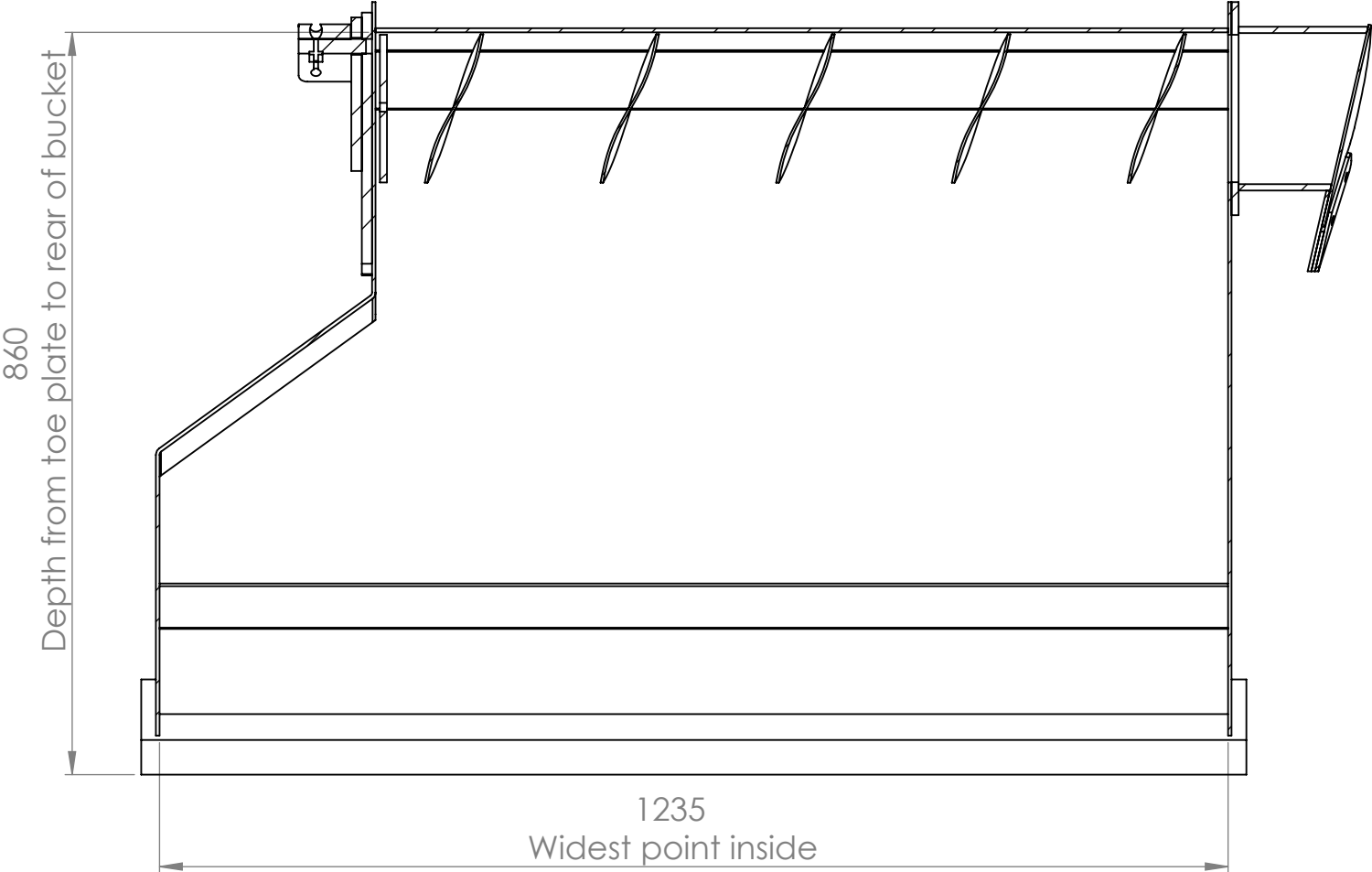


0.3 Meters Cubic Capacity



Q.A

MATERIAL:

DWG NO.

# Skid Steer Cereal Bucket

A4

WEIGHT:

SCALE:1:20

SHEET 1 OF 2

1

2

3

4

5

6

A

A

B

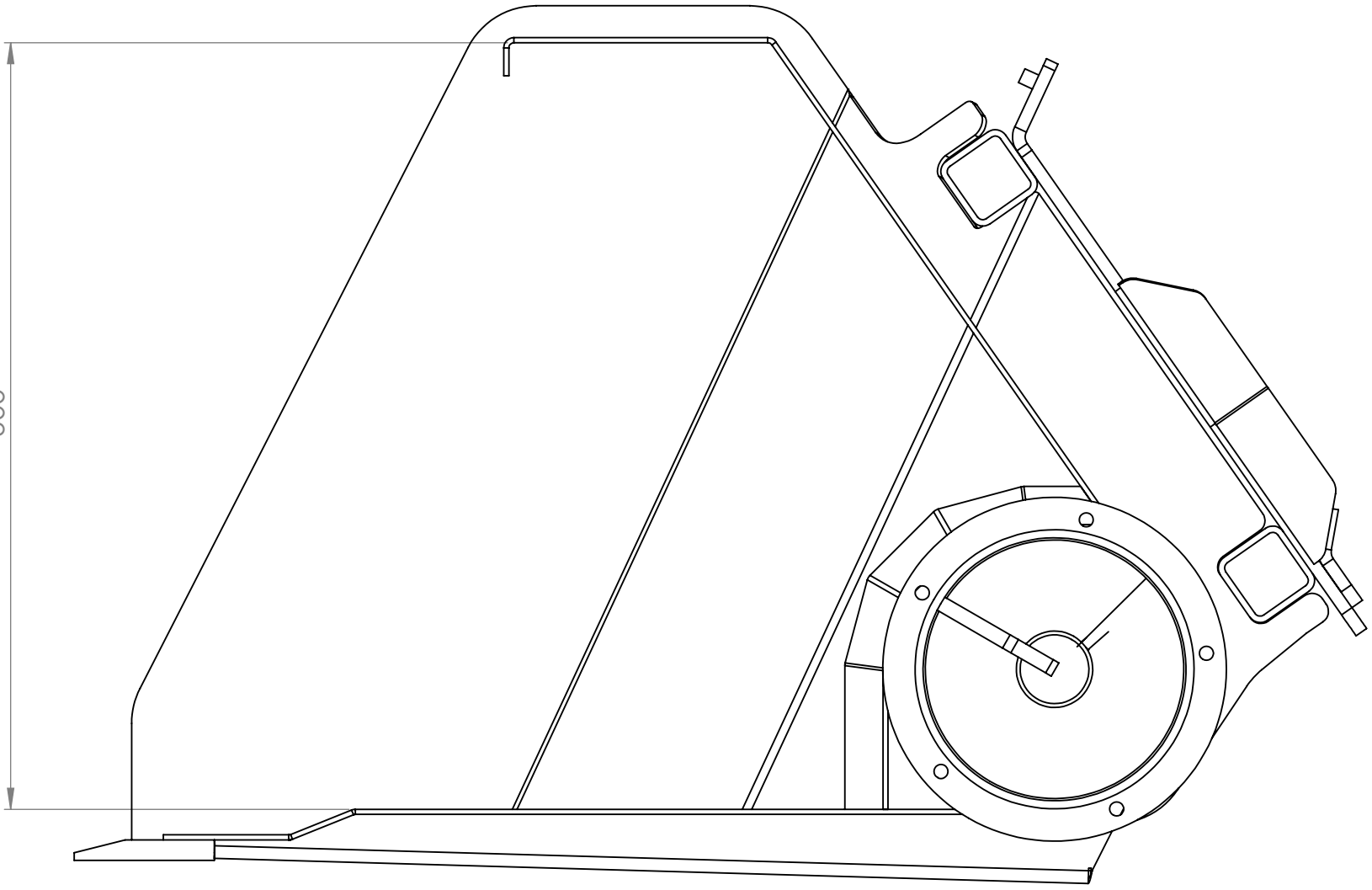
B

C

C

D

600



1

2

WEIGHT:

SCALE:1:20

SHEET 2 OF 2