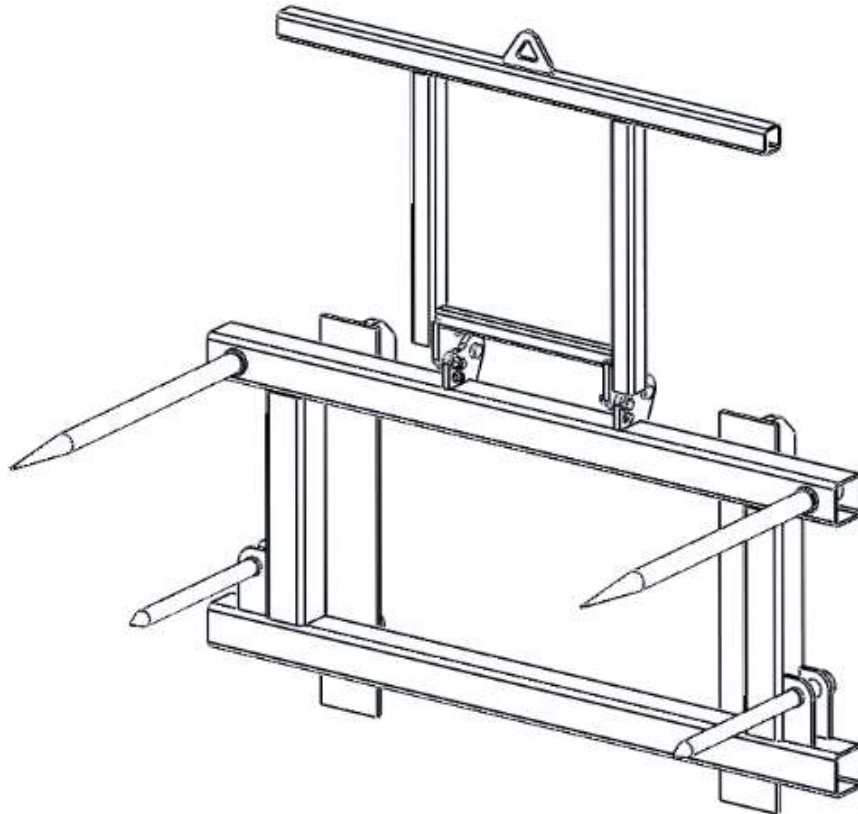


AGRI WELD

Operator Manual

TWIN BALE SPIKE



AGRI WELD

www.agriweld.co.uk

The Workshops
Main Street
Garton-on-the-Wolds
Driffield, YO25 3ET
Tel: 01377 259140
Fax: 01377 259141
Email: sales@agriweld.co.uk

Contents

Page 3	User Information & Getting Started
Page 4	Dangers, operating errors and exemption from liability
Page 5	Important Safety Instructions
Page 6	Full Assembly
Page 7	Full Assembly Parts List
Page 8	Forklift Brackets
Page 9	Stickers
Page 10	Warranty
Page 11	CE Declaration of Conformity

User information

Before first use, it is important for all operators to make themselves familiar with the unit and must read this OPERATOR MANUAL and SAFETY INSTRUCTIONS attentively.

Getting started

The Bale Spike will be fitted with the correct quick hitch brackets to suit the forklift/loader it is intended to fit together with the correctly swaged hydraulic pipes and fittings applicable to your forklift/loader (if relevant to your model). If hydraulic pipes or fittings are damaged they must be replaced immediately with NEW pipes and fittings. DO NOT ATTEMPT TO REPAIR HYDRAULIC PIPES OR ALLOW ANY ONE ELSE TO REPAIR THEM.

UNIT WEIGHT: 165 Kgs (Approximate due to different bracketing options)

MAX CAPACITY: 1000Kgs

Please refer to the SERIAL PLATE attached to your Bale Spike as the weight is relative to the model of your spike and any modifications made as per your order in relation to the standard specification.

NOTE: During use, please be aware of increased weight due to shock loading. This includes performing manoeuvres such as driving down a rough field, at some speed, loaded with bales. The resulting bouncing effect is known as shock loading and normal bale weight can be significantly magnified to the point of overload.

The Bale Spike is not to be used for any other purpose than for which it is intended - **It is not to be used as a fork lift.** Damage to the unit resulting from overload will not be covered under a warranty or liability claim.

The specifications, descriptions and illustrations in this manual are accurate at the time of publication but may be subject to change.

Safety

All operators of the Bale Spike and forklift/loader must hold the appropriate forklift licence or certificate of competence to do so. Any warning signs/instructions on the machine provide important information and must be observed.

All operators must be familiar with the Bale Spike Operator Manual and forklift/loader operations prior to use. If safety instructions are not observed and complied with it can lead to the risk of injury to the operator and others as well as damage to the machine, property and the environment. Non-compliance to the safety instructions can lead to claims for damages/injury becoming invalid.



Dangers, operating errors and exemption from liability

1. No responsibility will be accepted for possible dangers arising from operations complying with the designated use.
2. Damage to bales particularly vulnerable to damage during processing cannot be entirely ruled out. Weather conditions, the quality of the produce and many other circumstances beyond our or the operator's control have an influence on the vulnerability to damage of the produce being processed. Many circumstances can have an influence on the vulnerability to damage of produce and these examples are not exhaustive.
3. Agriweld shall not be liable for any damage to agricultural produce and other items, which occurs as a result of normal operating, adjustments errors or other incorrect usage.
4. Agriweld accepts no liability for any damage caused as a result of operations not complying with the designated use of the machine. This also applies to damage to agricultural produce caused by certain external influences, which cannot be avoided with the current state of the art.

HEALTH & SAFETY NOTE: For transport of this bale spike on public roads, the spikes require suitable covering, or removing in order to protect other road users.

Qualification & training

Only personnel with the appropriate forklift/loader licence are authorised to use this machine.

Statutory minimum age limits must be observed and reliable personnel only should perform maintenance/work on this machine.

Persons undergoing training or instruction or taking part in a general training course should only use this machine under direct supervision of an experienced and trained person.

Agriweld shall not be responsible for any damage/injury caused by the use of parts/repairs not supplied and/or approved by Agriweld.

Check round the machine for any noticeable damage, or missing parts before starting work.

It is advisable that the operator does not wear jewellery and loose-fitting clothing to avoid the risk of snagging and trapping.



Ensure that you are working in an area clear of obstructions and watch out for wandering individuals (particularly children!).

Important Safety Instructions

Take extra care when attaching the Bale Spike to the forklift/loader to ensure that it is attached correctly via the bracketing and hydraulic fittings.

Ensure that the forklift/loader and its hydraulic system is in full working order.

Never allow any person to stand between the forklift/loader and the Bale Spike during connection or at any time.

Never exceed the permissible weight of the bales for handling.

Take into account the protrusion of the Bale Spike and tines when manoeuvring around and take particular care when approaching junctions and negotiating corners.

The driving characteristics of the forklift/loader are influenced and altered by the attachment of mounted machines and it is important to ensure adequate steering and braking ability as required.

Never allow any person to sit or ride on the Bale Spike at any time

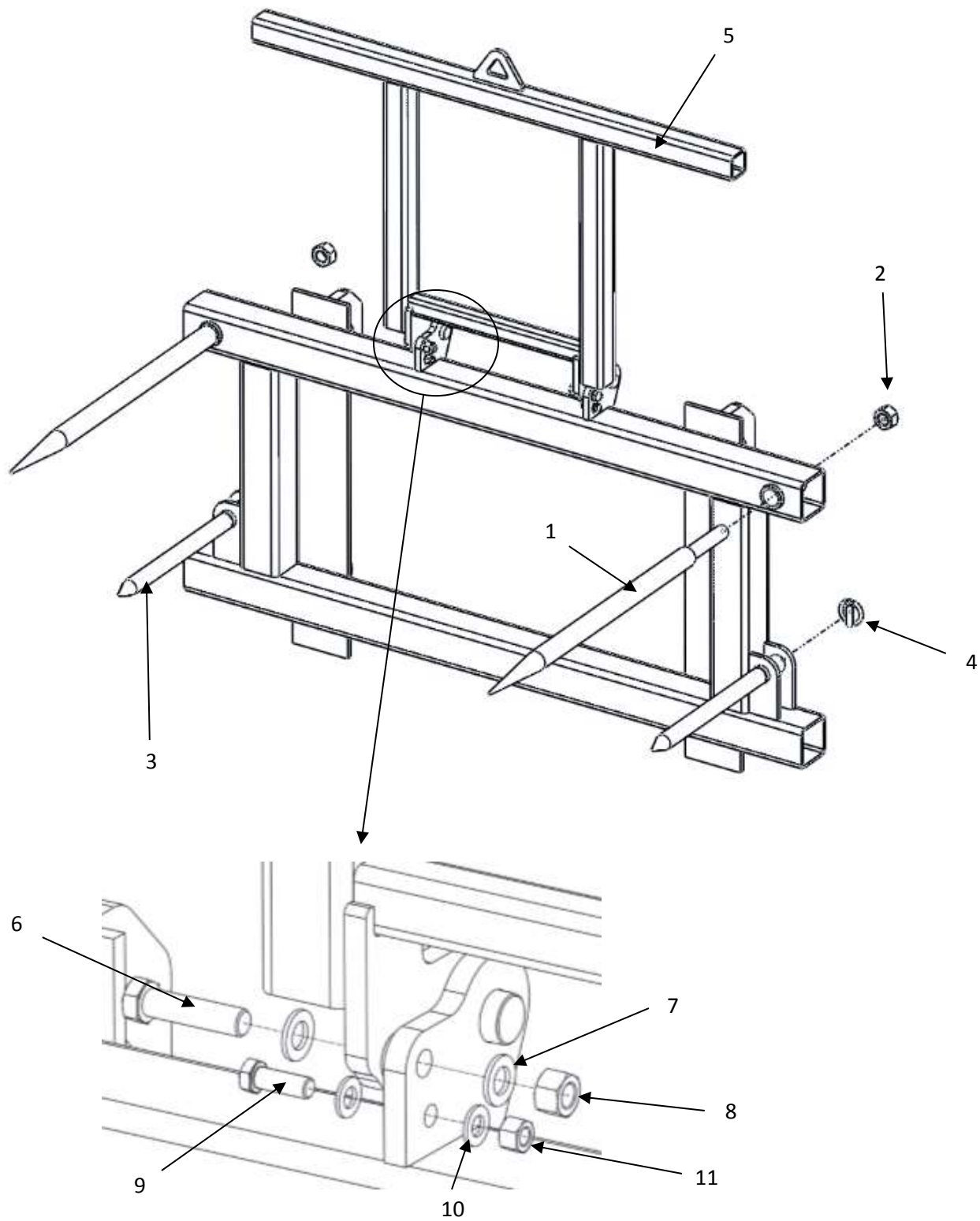
Never perform any adjustments to the Bale Spike whilst mounted, unless the forklift/loader is stopped, turned off and the Bale Spike is resting on the ground where possible.

Ensure that the forklift/loader cannot roll away by use of a park brake or wheel chocks.

Never allow any person to stand or work beneath a suspended load.

Keep clear of the unit whilst under operation to prevent injury.

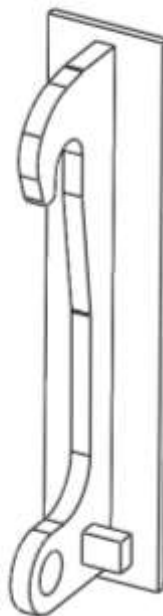
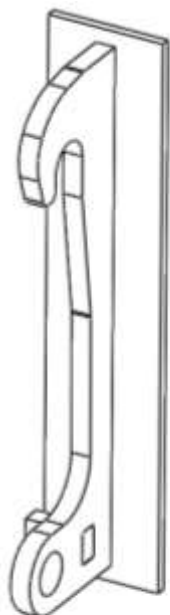
FULL ASSEMBLY



PARTS LIST






Item Number	Part Number	Description	Quantity per Machine
1	4041	Straight Bale Tine	2
2	4045	M30 Tine Nut	2
3	AW_400_LS	Lower Spike	2
4	AW_LP11Z	Lower Spike Linch Pin	2
5	AW_BSTF	Top Spill Frame	1
6	AW_M16_50	Top Spill Frame Bolt	2
7	AW_M16W	Top Spill Frame Washer	8
8	AW_M16_N	Top Spill Frame Nut	2
9	AW_M12_35	Top Spill Frame Stop Bolt	2
10	AW_M12W	Top Spill Frame Stop Washer	4
11	AWM12N	Top Spill Frame Stop Nut	2

FORKLIFT BRACKETS



Weld on Brackets for a Cat for example.

STICKERS

Sticker	Part number	Description	Quantity per Machine
	AW_BS_ALS (460mm x 90mm)	Agriweld Sticker	2
	AW_BS_ASS (185 mm x 85mm)	Agriweld Sticker	1
	AW_BS_GB (85mm x 50mm)	Great Britain Sticker	2
	AW_BS_AS	Agriweld Stencil	1
	AW_OM_ST	Operator Manual Sticker	1



WARRANTY

Your Agriweld TWIN Bale Spike is covered for a period of 12 months from the date of dispatch (which is recorded on our files) against faulty components and/or bad workmanship.

Our welders are coded to ISO 9606-1 and our welding procedures are approved in accordance with ISO 15614-1 to manufacture your equipment. All products are checked for quality prior to delivery/collection.

We cannot be responsible for claims arising from ignorance, occurrences outside our control, such as accidents, and malicious damage and non-compliance with safety instructions.

Any damage occurred during transit must be reported on signing for the item from the haulier to enable us to enter a claim for damages direct with the haulier.

WARRANTY CLAIMS FOR DAMAGE DURING TRANSIT

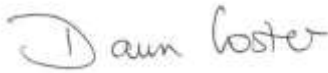
Damage occurred during transit via an external haulier must be reported immediately upon unloading and signing for the item. The limit of our liability to undertake repairs to products damaged during transit is dependent on signing for any damaged product upon delivery as "DAMAGED".



CE DECLARATION OF CONFORMITY

The equipment which accompanies this declaration is in conformity with EU Directive(s):-

2006/42/EC Machinery Directive

Manufacturer Name:	Agriweld Ltd
Manufacturer Address:	Main Street Garton-on-the-Wolds Driffield East Yorkshire YO25 3ET
Product:	Standard TWIN Bale Spike
Product Options:	All models
Individual Serial Number:	
Product Description:	TWIN Bale Spike
Date of Last Load Test Report:	N/A
Supplementary Information:	
Authorised Signatory on Behalf of Manufacturer:	
Name of Signatory:	Dawn Foster
Position in Company:	Director
Date of Issue:	