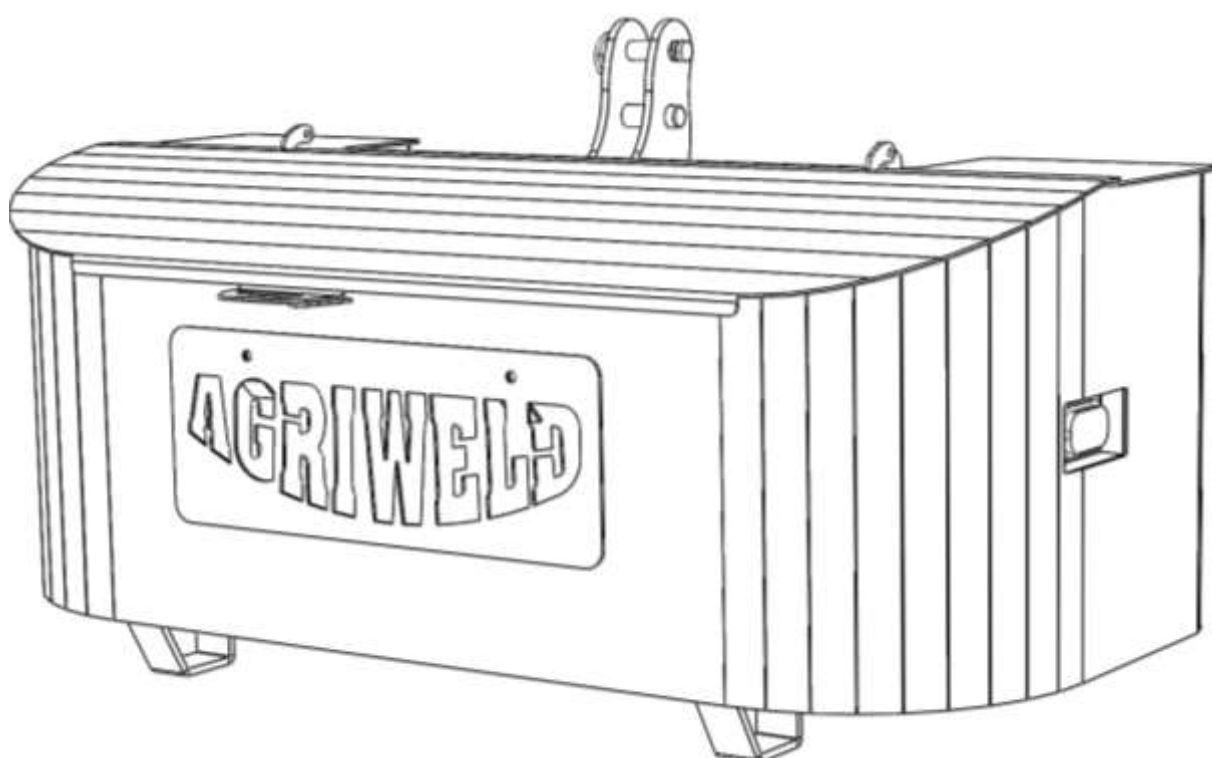


AGRIWELD

Transport Box

ALL MODELS

Operator Manual



The Workshops
Main Street
Garton-on-the-Wolds
Driffield, YO25 3ET
Tel: 01377 259140
Email: sales@agriweld.co.uk

AGRIWELD

Contents

Page 3	Introduction: General Safety & Qualifications & Training
Page 4	Further Safety & Unit Weights
Page 5	Risk of Overloading
Page 6-9	Standard Transport Box
Page 10-12	Slim Compact Close Coupled Transport Box
Page 13	Special Safety Instructions & Important Maintenance
Page 14	Connecting Your LED's
Page 15	LED Patterns
Page 16-17	Risk Assessment
Page 18	Warranty
Page 19	Stickers
Page 20	C E Declaration of Conformity

Introduction

General Safety

This manual must be provided to all persons concerned who will be involved with the setting up, operation, maintenance and use of the tractor and transport box. It must be available at all times.

If important safety instructions are not complied with, it can lead to the risk of injury to you and others as well as damage to property and the environment.

NON COMPLIANCE WITH SAFETY INSTRUCTIONS CAN LEAD TO WARRANTY CLAIMS BECOMING INVALID.

Qualifications and Training

Only personnel with the appropriate licence are authorised to use this implement.

Statutory minimum age limits must be observed and reliable personnel only should perform maintenance/work on this implement.

Persons undergoing training or instruction or taking part in a general training course should only use this implement under direct supervision of an experienced and trained person.

The use of spare parts, accessories and ancillary equipment not supplied or approved by Agriweld could have detrimental effects to the construction or functions of the Agriweld toolbox. Agriweld shall not be responsible for any damage caused by the use of spare parts or accessories and ancillary equipment not supplied or approved by Agriweld.

The operator must be aware of their responsibilities with regard to observing traffic regulations. The operator must have the authority to refuse instructions issued by third parties which contravene safety.

Any conversions or modifications to the implement may only be carried out after prior consultation and written confirmation from Agriweld.

Further Safety

Any warning signs/instructions on the machine provide important information and must be observed.

Ensure that you are familiar with the equipment, controls and functions before starting work.

Check round the machine for any noticeable damage, or missing parts before starting work.

It is advisable that the operator wears close fitting clothing to avoid the risk of snagging and trapping.

Ensure that you watch out for wandering individuals (particularly children!).

Always match your speed to the conditions and legal speed limits. Observe and respect traffic regulations when using public roads.

Remember to take into account the size of any attachments to the tractor you may have and be aware of the sideways forces acting on the machine when turning and negotiating corners. Always ensure adequate all round visibility.

The driving characteristics of the forklift/loader/tractor are influenced and altered by the attachment of mounted machines and it is important to ensure adequate steering and braking ability as required.

Unit Weight before additional concrete weight (approx.)

Slim Compact Transport Box (front linkage or bolster) = 125kg

Standard Transport Box (front linkage or bolster) = 200kg

Bespoke sizes – Please refer to serial plate for weight

Please note: Dimensions & weight may be subject to change without prior notification

All models can be front linkage or bolster fitting.

RISKS OF OVERLOADING

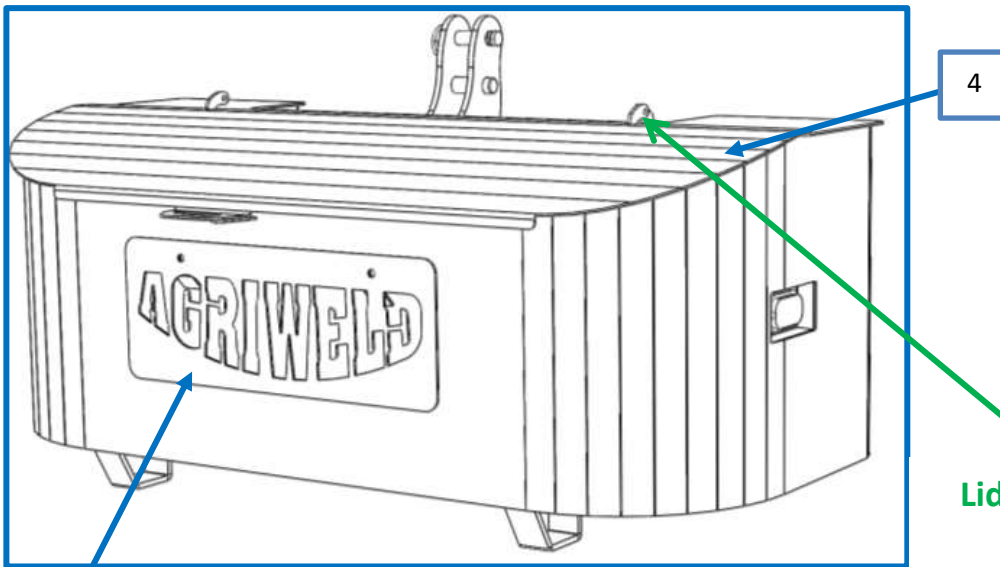
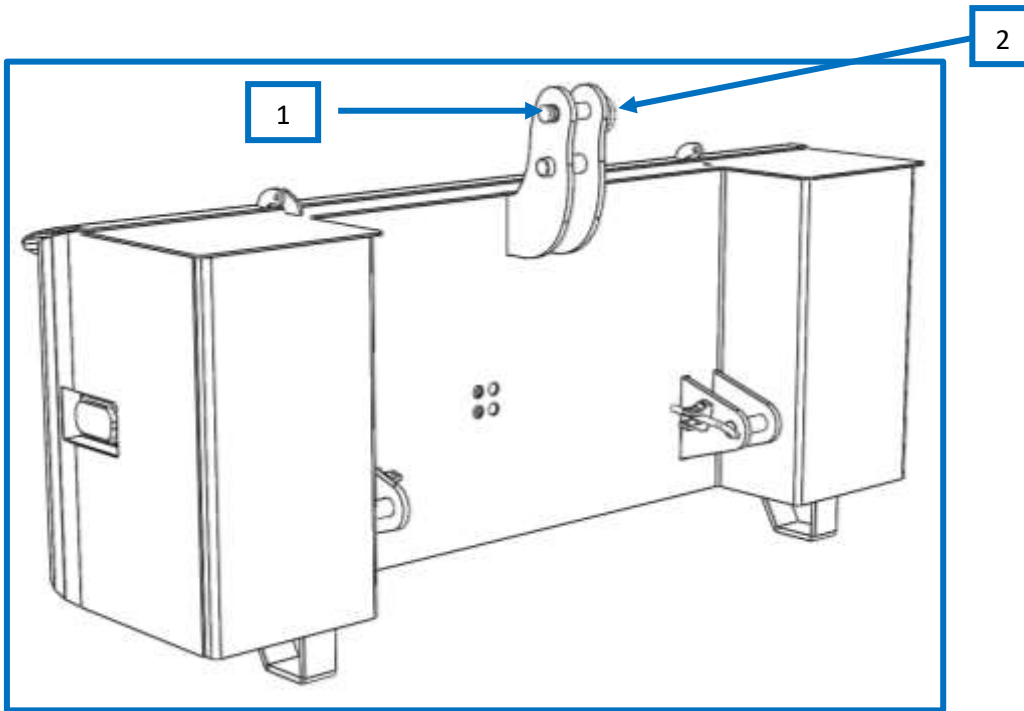
It is your responsibility to check the maximum load capacity of your tractor chassis/front linkage, before ordering your transport to ensure that you do not exceed the recommendations advised by the tractor/front linkage manufacturer.

Agriweld will accept no responsibility for damage or injury occurred by attaching a transport box that exceeds the maximum capacity advised by the tractor/front linkage manufacturer.

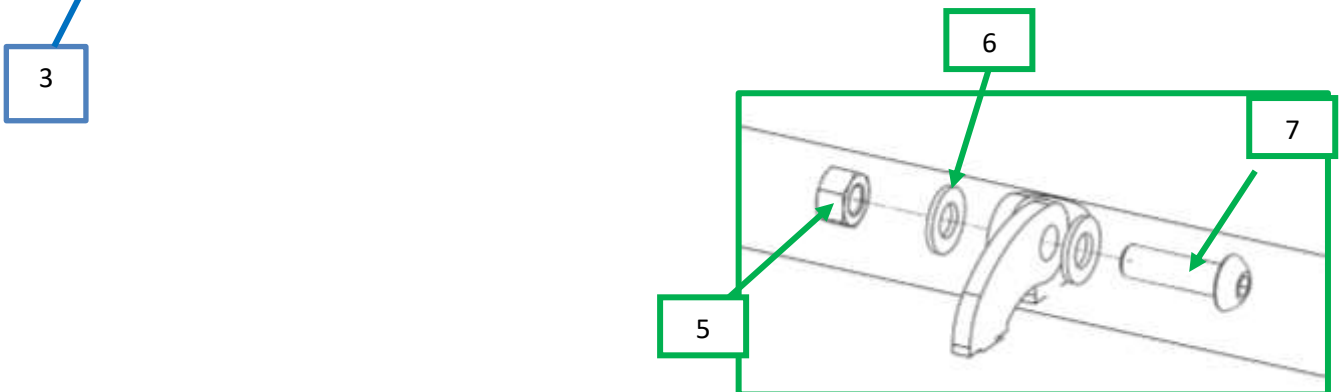
It is important to ensure any additional weight imposed when carrying tools/spares stored within the transport box is also accounted for and the additional weight does not exceed the overall maximum capacity of the tractor's linkage/chassis.

**STANDARD TRANSPORT BOX
(FRONT LINKAGE MODEL SHOWN)**

Standard Transport Box Assembly (Front linkage model shown)



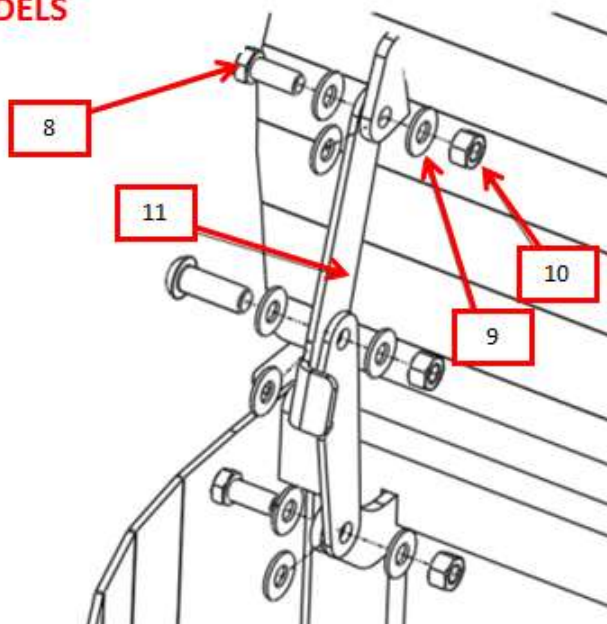
Lid hinge assembly (x2 per box)



Standard Transport Box Parts List (front linkage model)

NO	DESCRIPTION	PART NUMBER	QTY PER BOX
1	TOP LINK PIN	Z325095KR	1
2	LINCH PIN	LP11Z	3
3	NAME PLATE	AW_NP	1
4	LID	AW_TBLID	1
5	M10 NYLOCK NUT	AWM10N	2
6	M10 WASHER	AWM10W	6
7	M10 BUTTON HEAD BOLT	AWM10BHB	3
8	M8 BOLT	AWM10B	2
9	M8 WASHER	AWM10W	9
10	M8 NYLOCK NUT	AWM10N	3
11	LID STAY BRACKET	LCTB_PRO_01	1

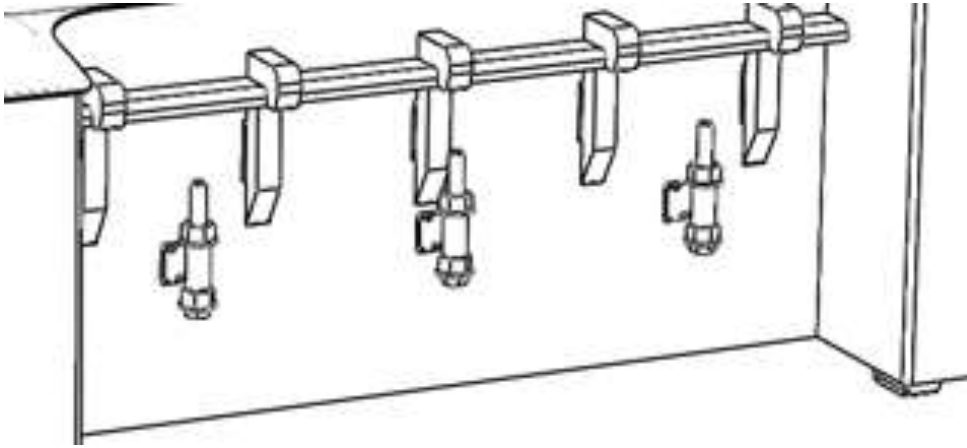
LID STAY ASSEMBLY ON STANDARD AND BASIC COMPACT MODELS



TO REMOVE TRANSPORT BOX LID FROM STANDARD & BASIC COMPACT MODELS

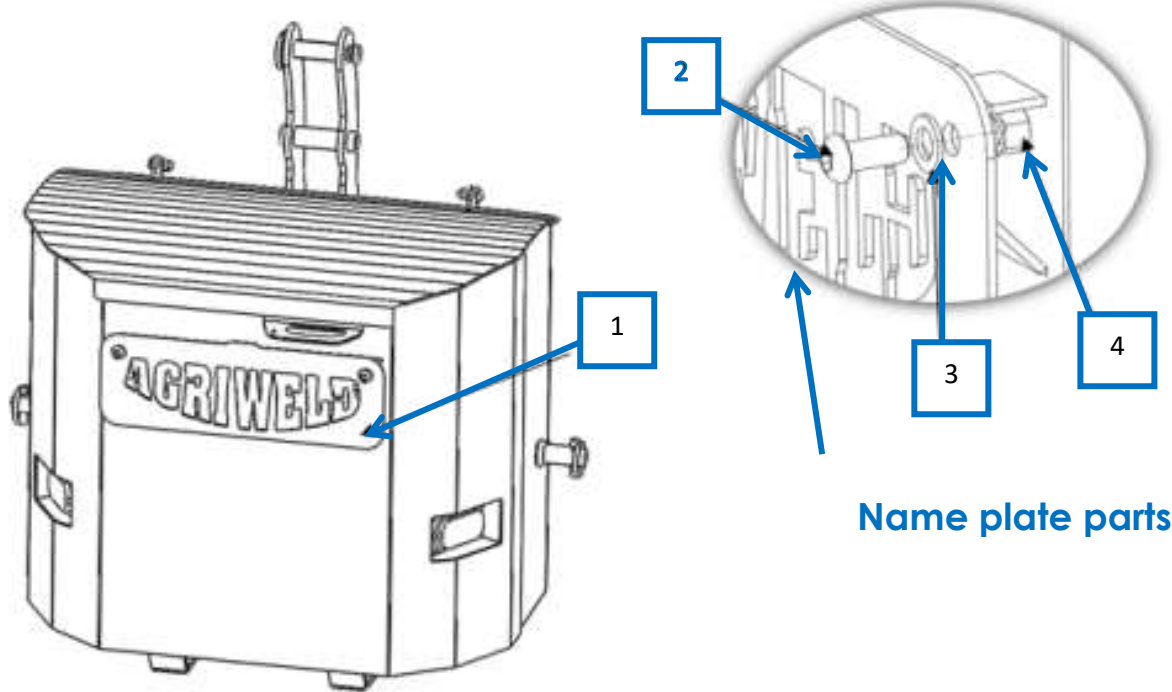
1. DETACH LID STAY ASSEMBLY FROM THE UNDERSIDE OF THE LID BY UNSCREWING BOLT (10)
2. DETACH LID HINGE ASSEMBLIES (X2) BY UNSCREWING BOTH BOLTS (7) AS SHOWN ON NEXT PAGE AS PER PARTS LIST ABOVE

BOLSTER FITTING EXAMPLE AVAILABLE ON ALL MODELS, IMAGE FOR ILLUSTRATION PURPOSES ONLY

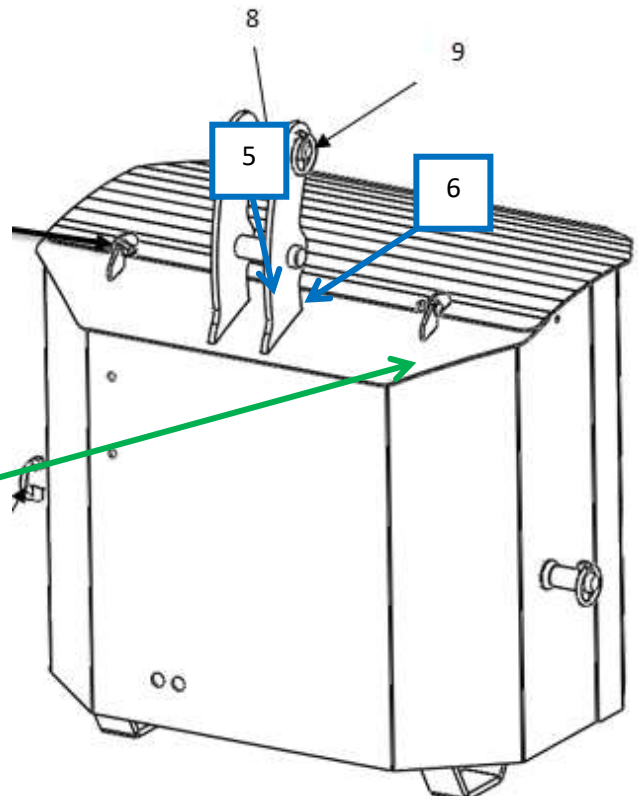


**SLIM COMPACT CLOSE COUPLED
TRANSPORT BOX
(FRONT LINKAGE MODEL SHOWN)**

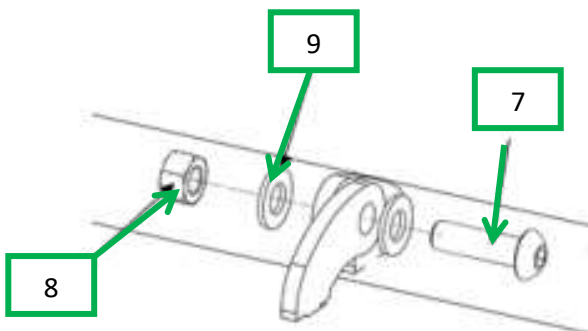
Slim Compact Close Coupled Transport Box Assembly (front linkage model shown)



Name plate parts



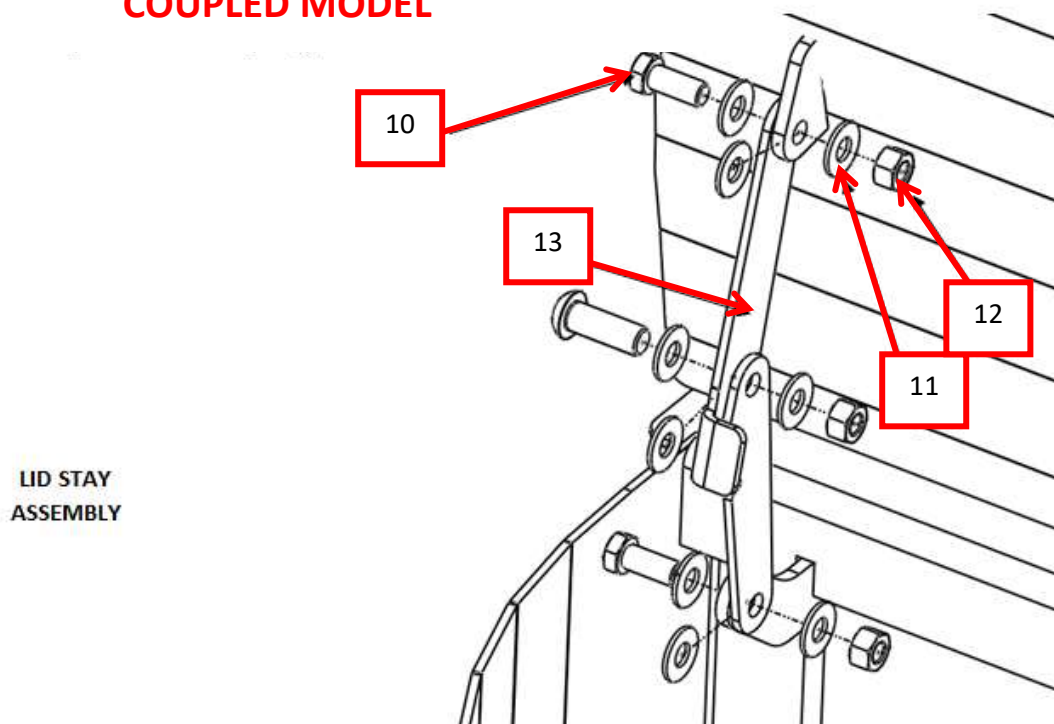
Lid hinge assembly (x2 per box)



Slim Compact Close Coupled Transport Box Parts List

NO	PART NUMBER	DESCRIPTION	QTY PER BOX
1	AW_NP	NAME PLATE	1
2	AWM12BH	M12 BUTTON HEAD BOLT	2
3	AWM12W	M12 WASHER	4
4	AWM12N	M12 NYLOCK NUT	2
5	Z325095KR	TOP LINK PIN	1
6	LP11Z	LINCH PIN	3
7	AWM10BH	M10 BUTTON HEAD BOLT	2
8	AWM10N	M10 NYLOCK NUT	2
9	AWM10W	M10 WASHER	6
10	AWM8BH	M8 BUTTON HEAD	3
11	AWM8W	M8 WASHER	9
12	AWM8N	M8 NYLOCK NUT	3
13	AWLCTB_PRO_01	LID STAY BRACKET	1

LID STAY ASSEMBLY SLIM COMPACT CLOSE COUPLED MODEL



TO REMOVE TRANSPORT BOX LID FROM SLIM CLOSE-COUPLED MODEL

3. DETACH LID STAY ASSEMBLY FROM THE UNDERSIDE OF THE LID BY UNSCREWING BOLT (10)
4. DETACH LID HINGE ASSEMBLIES (X2) BY UNSCREWING BOTH BOLTS (7) AS SHOWN ON PREVIOUS PAGE

Special Safety Instructions

Take extra care when connecting or disconnecting the transport box to/from the tractor. Be aware of what is under the transport box (such as your feet) before dropping it off.

Ensure that the tractor's hydraulic system is in full working order.

Never allow any person to stand between the tractor and the transport box during connection or at any time unless the tractor is secured against rolling away by use of a parking brake and/or wheel chocks.

It is forbidden to allow any persons to ride or sit on the transport box at any time. Observers should maintain a safe distance when machine is in use.

When performing any adjustments to the machine the tractor engine must be switched off to prevent the hydraulics from operating.

Ensure that any items stored in the transport box are secured by closing the lids.

The shackle points are intended for light use only. E.g.: for pulling a furrow press out of a corner using a chain. They are more of a chaining point not an actual towing point and are NOT suitable to tow a trailer down a public road when in use on the rear linkage. The shackle points can be used for towing lighter loads round the yard, however, they are not a load tested item and so cannot be guaranteed safe for use on public highways and is to be used for towing at own risk.

Important Maintenance

It is important to check all pins/bolts for wear and ensure that none show significant signs of wear or damage.

Keep the transport box clean at all times.

CONNECTING YOUR LEDS

The transport boxes are fitted with amber side marker lights as standard, however, it is not supplied with the relevant 12-24V electrical plug which can vary, to suit the connection to your tractor.

Please check that your LEDs are working correctly before use in the dark and especially when in use on public roads. Please note that you are responsible for ensuring the LEDs are in full working order before each use and this should form part of your routine maintenance checks.

STANDARD FIXED AMBER LED SIDE MARKER LIGHTS

To connect your amber LED side marker lights, fitted as standard, you will need to wire them up to a relevant 12-24 V electrical plug, suitable for your tractors electrical supply.

BLUE WIRE = EARTH (NEGATIVE -)

BROWN WIRE = LIVE (POSITIVE +)

OPTIONAL AMBER LED3DV FLASHING MARKER LIGHTS:

If ordered as an extra option, the amber flashing LED side marker lights are set to pattern PA1 before delivery. If you wish to change this, you will need to work your way down the list of patterns following the instructions below before fitting the plug and connecting to the tractor.

1. Using the **GREY** wire to make the change you will need a 12V battery on hand to alter the flashing pattern.
2. Connect the **BROWN** wire to Live (**+POSITIVE**) on the battery.
3. Connect the **BLACK** wire to Earth (**-NEGATIVE**) on the battery.
4. Touch the **GREY** wire once to Earth (**-NEGATIVE**) which will produce the next pattern in the sequence.
5. Keep touching the **GREY** wire in this way until the desired pattern is achieved.
6. When happy you can fit your 12-24V plug using only the **BROWN** LIVE (**+POSITIVE**) wire and **BLACK** Earth (**-NEGATIVE**) wire.
7. Cut excess **GREY** and **YELLOW/GREEN** wires down to within the sheath to prevent further contact.

Pattern Number	Pattern	Synchronise	Alternate
PA1	Single Alert 150 – Phase 1	✓	✓
PA2	Single Alert 150 – Phase 2	✓	
PA3	Single Alert 75 – Phase 1	✓	✓
PA4	Single Alert 75 – Phase 2	✓	
PA5	Single Alert 375 – Phase 1	✓	✓
PA6	Single Alert 375 – Phase 2	✓	
PA7	Single Flash 150 – Phase 1	✓	✓
PA8	Single Flash 150 – Phase 2	✓	
PA9	Single Flash 75 – Phase 1	✓	✓
PA10	Single Flash 75 – Phase 2	✓	
PA11	Double Flash 150 – Phase 1	✓	✓
PA12	Double Flash 150 – Phase 2	✓	
PA13	Double Flash 75 – Phase 1	✓	✓
PA14	Double Flash 75 – Phase 2	✓	
PA15	Comet Flash 75		-
PA16	Action Flash	-	-
PA17	Module Flash	-	-
PA18	Comet Alert		-
PA19	Action Scan	-	-
PA20	Single Alert	-	-
PA21	Steady – High	N/A	N/A
PA22	Steady – Low	N/A	N/A
PA23	Off	N/A	N/A

Transport Box Risk Assessment

Date risk assessment completed: Reviewed October 2018 – to review again in 1 year or sooner if required

Organisation name: Agriweld Ltd

MACHINERY TYPE: Transport Box

Description: An attachment for the front or rear of a tractor for carrying spares/tools etc to keep clutter from the tractor cab. Attaching via a front linkage or bolster fitting with option to add additional weight up to 500kgs

<i>What are the hazards?</i>	<i>Who might be harmed and how?</i>	<i>Risk evaluation Levels 1-5 (1 = Low risk, 5 = High risk)</i>	<i>Precautions in place</i>	<i>Further action required/notes?</i>
Transport box detaching causing crushing/trapping	Operators and bystanders if transport box falls unexpectedly or whilst attaching to tractor linkage, trapping limbs or being crushed	2	Feet fitted to the base of the transport box assists preventing crushing/trapping injuries to limbs if it becomes detached and falls. Operator manual stipulates information on the correct use, capacity and to check connection to the tractor prior to use each time for signs of damage or missing parts that could be responsible. Regularly check/replace linkage and lynch pins if deemed faulty or missing. Note in manual references not standing in between the tractor linkage and the transport box during attachment/detachment and at all times.	Continue to ensure every customer receives an operator manual and review/update all safety measures as required. Online version of manual available on Agriweld website at all times.
Lack of operator training/ignorance causing accident	Operator and bystanders	3	A bright yellow warning sticker is attached to the transport box, to alert operators to read the operator manual. Operator manual states all operators of the tractor must have a valid licence/experience.	Maintain the availability of the operator manual on line as well as paper copy so that it can be available 24 hours a day if required. Ensure assembly team realise the importance of attaching correct decals.
Worn parts and non-maintained attachments can	Operator and bystanders. Aged or worn linkage parts	2	Notes in the operator's manual inform operators to keep the transport box clean and inspect prior to each use noting any areas of concern/damage,	Operator manual advises regular maintenance checks

Transport Box Risk Assessment

<i>What are the hazards?</i>	<i>Who might be harmed and how?</i>	<i>Risk evaluation Levels 1-5 (1 = Low risk, 5 = High risk)</i>	<i>Precautions in place</i>	<i>Further action required/notes?</i>
become loose on connection	causing poor connection to tractor and coming loose causing potential detachment		Operator manual states not to use the transport box if there are any parts damaged or missing. See Page 15	
Failing LED lights & damaged wire/cabling – potential collision on highways/at junctions	Operator & general public/other road users by non-maintenance	2	The LED wiring loom is correctly installed and clipped out of the way of catching/snagging wires and is connected up to a junction box. Operators are advised to use the correct tools/PPE to perform any LED repairs/replacements and follow instructions contained in the operator manual.	Note in LED section of operator manual about regular checks to ensure working correctly before use in the dark
Knocks to individuals-wandering into the path of the transport box whilst attached to tractor.	Bystanders walking directly into the transport box by not paying attention when around the tractor and transport box	1	Operators advised to be aware of wandering individuals	See safety notes in operator's manual page 4
Malicious damage	All	1	It is possible that malicious damage can be caused E.g removing linch/linkage pins, damage to brackets or cutting wires for the LEDs Operator manual states transport box should be checked over prior to each use which would alert the operator of any missing or damaged parts	See notes in operator's manual page 4
Overloading tractor chassis/front linkage- causing failure of tractor linkage	Operator and general public	2	Agriweld do not advise including any additional weight over 500kgs to allow for carrying tools/spares. Anything unusual is referred to design for approval or rejection and anything detrimental/unsafe is refused. Operator manual states that riding or carrying anything on the transport box whilst connected is prohibited.	Risk of overloading section listed in operator's manual

Warranty

Your Agriweld Transport Box is covered for a period of 12 months from the date of dispatch (which is recorded on our files) against faulty components and/or bad workmanship.

Our welders are coded to ISO 9606-1 and our welding procedures are approved in accordance with ISO 15614-1 to manufacture your equipment. All products are checked for quality prior to delivery/collection.






We cannot be responsible for claims arising from ignorance, occurrences outside our control, such as accidents, and malicious damage and non-compliance with safety instructions.

Any damage occurred during transit must be reported on signing for the item from the haulier to enable us to enter a claim for damages direct with the haulier.

WARRANTY CLAIMS FOR DAMAGE DURING TRANSIT

Damage occurred during transit via an external haulier must be reported immediately upon unloading and signing for the item. The limit of our liability to undertake repairs to products damaged during transit is dependent on signing for any damaged product upon delivery as "DAMAGED".

Stickers

Sticker	Part number	Description	Quantity per Machine
	AW_WB_AS (185 mm x 85mm)	Agriweld Sticker	3
	AW_WB_GB (85mm x 50mm)	Great Britain Sticker	3
	Serial plate (76mmX51mm)	Serial plate	1
	AW_CV_STL	Standard Chevron with LED slot	2
	AW_OM_S	Read operator manual sticker	1

CE DECLARATION OF CONFORMITY

The equipment which accompanies this declaration is in conformity with EU Directive(s):-

2006/42/EC Machinery Directive

Manufacturer Name:	Agriweld Ltd
Manufacturer Address:	Main Street Garton-on-the-Wolds Driffield East Yorkshire YO25 3ET
Product:	Transport Box
Product Options:	All models
Individual Serial Number:	
Product Description:	Agriweld Transport Box
Date of Last Load Test Report:	N/A
Supplementary Information:	Front linkage or Bolster mounted ALL MODELS
Authorised Signatory on Behalf of Manufacturer:	
Name of Signatory:	Dawn Foster
Position in Company:	Director
Date of Issue:	

AGRI WELD**AGRI WELD**