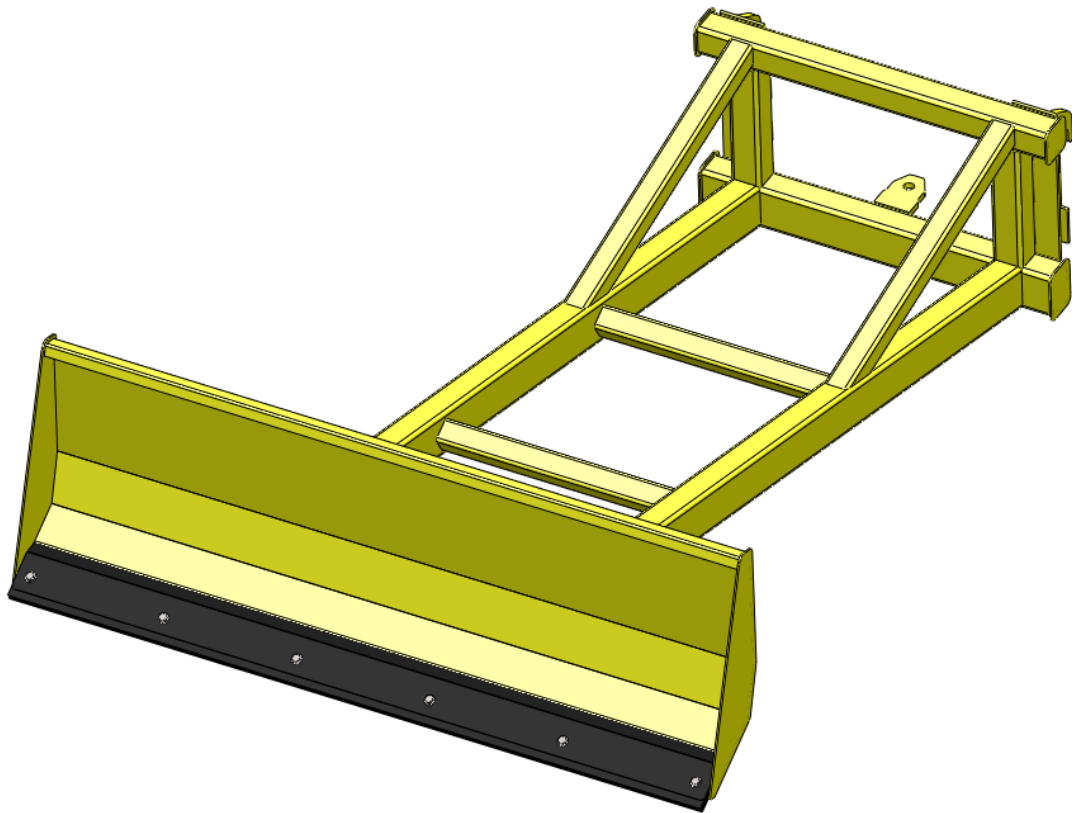


AGRI WELD

OPERATOR MANUAL

3m – 5m Grain Pusher



The Workshops
Main Street
Garton-on-the-Wolds
Driffield, YO25 3ET
Tel: 01377 259140
Fax: 01377 259141

Email: sales@agriweld.co.uk

AGRI WELD

www.agriweld.co.uk

Contents

Page 3	Summary and General Safety
Page 4	Qualifications and Training
Page 5	Further Safety & Special Safety Instructions
Page 6	Safety First & Changing the Rubber Blade
Page 7	Operation
Page 8	Full Assembly
Page 10	Stickers
Page 11	Warranty
Page 12	Declaration of Conformity

Summary

The Agriweld Standard Grain Pusher is an implement used for heaping grain. It is designed to fit any forklift/loader by use of the relevant bracketing which is provided with the implement.

It is designed and manufactured by Agriweld in Great Britain.

The blade is fitted with a bolt-on rubber strip to protect the floor and also act as a shock and noise absorber when lowering the Pusher blade to the floor.

General Safety

This manual must be provided to all persons concerned who will be involved with the setting up, operation, maintenance and use of the forklift/loader and the Grain Pusher and must be available at all times.

If important safety instructions are not complied with, it can lead to the risk of injury to yourself and others as well as damage to property and the environment.

PLEASE NOTE

NON COMPLIANCE WITH SAFETY INSTRUCTIONS CAN LEAD TO WARRANTY CLAIMS BECOMING INVALID.



Qualifications and Training

Only personnel with the appropriate forklift license is authorised to use this machine.

Statutory minimum age limits must be observed and reliable personnel only should perform maintenance work on this implement.

Persons undergoing training or instruction or taking part in a general training course should only use this machine under direct supervision of an experienced and trained person.

The use of spare parts, accessories and ancillary equipment not supplied or approved by Agriweld could have detrimental effects to the construction or functions of the Agriweld Grain Pusher. Agriweld shall not be responsible for any damage caused by the use of spare parts or accessories and ancillary equipment not supplied or approved by Agriweld.

The operator must be aware of their responsibilities with regard to observing traffic regulations. The operator must have the authority to refuse instructions issued by third parties which contravene safety.

PLEASE NOTE: This implement must NOT be transported on public roads whilst attached to the forklift or loader. If the implement has to be moved by public road, it must be moved using a wagon or trailer.

Any conversions or modifications to the machine may only be carried out after prior consultation and written confirmation from Agriweld.



Further Safety

Any warning signs/instructions on the implement provide important information and must be observed.

Ensure that you are familiar with the equipment, forklift controls and functions before starting work.

Check round the implement for any noticeable damage, or missing parts before starting work.

It is advisable that the operator wears close fitting clothing to avoid the risk of snagging and trapping.

Ensure that you watch out for wandering individuals (particularly children!).

Always match your speed to the conditions and speed limits imposed.

Remember to take into account the size of any attachments to the forklift/loader you may have and be aware of the sideways forces acting on the machine when turning and negotiating corners. Always ensure adequate all round visibility.

Special Safety Instructions

Take extra care when hitching up or un-hitching the Grain Pusher to/from the forklift/loader. Be aware of what is under the Pusher and its blade (such as someone's feet) before dropping it off.

Ensure that the forklift/loaders hydraulic system is in full working order.

Never allow any person to stand between the forklift/loader and the Grain Pusher during connection or at any time unless the forklift/loader is secured against rolling away by use of a parking brake and/or wheel chocks.

It is forbidden to allow any persons to ride or sit on the Grain Pusher at any time. Observers should maintain a safe distance when machine is in use.

When performing any adjustments to the Grain Pusher the forklift/loader engine must be switched off to prevent the hydraulics from operating.

The driving characteristics of the forklift/loader are influenced and altered by the attachment of mounted machines and it is important to ensure adequate steering and braking ability as required.



Safety First

Everyone is responsible for Health and Safety! Please operate your forklift or loader with this implement attached in a sensible and safe manner. Be aware of the safety of others at all times.

Changing the Rubber Blade

The Standard Grain Pusher is fitted with a bolt-on rubber blade. When this is worn and requires replacement, please replace the strip with the specifications as follows;

RUBBER STRIP **2382mm x 150mm x 25mm c/w bolt holes to suit Grain Pusher.**

6 No. **M16 x 60mm bolts, and nylock nuts all BZP HT min 8.8**

12 No. **M16 Washers BZP**

Remove all 6 M16 x 60mm bolts, all washers and nylock nuts from the grip plate holding the rubber strip to the blade. Discard ALL nylock nuts and any damaged bolts/washers.

The grip plate will come away so that you can remove the worn rubber strip.

*As a minimum, **ALL of the M16 NYLOCK NUTS will require replacement**, due to the nature of the nut, however, we recommend using ALL new fasteners when replacing the rubber blade.*

Position the new rubber strip, followed by the grip plate and secure using the 6 x M16 x 60 bolts, and 12 washers (fitted 1 each side of the head and nylock of the bolt – see diagram on Full Assembly, page 8) and 6 nylock nuts. You **MUST** re-fit all 6. If you are missing any **DO NOT USE** the implement until ALL bolts, washers and nylock nuts are re-fitted as damage may occur to the new strip and Grain Pusher and the implement could be dangerous to use.

We can supply you with all these parts if required.

Once you are happy that all 6 fasteners are in situ correctly, you may use the Grain Pusher.

If you require assistance with this procedure in any way, please do not hesitate to ask us for assistance.

AGRI WELD



Operation

GENERAL DO'S & DON'T'S

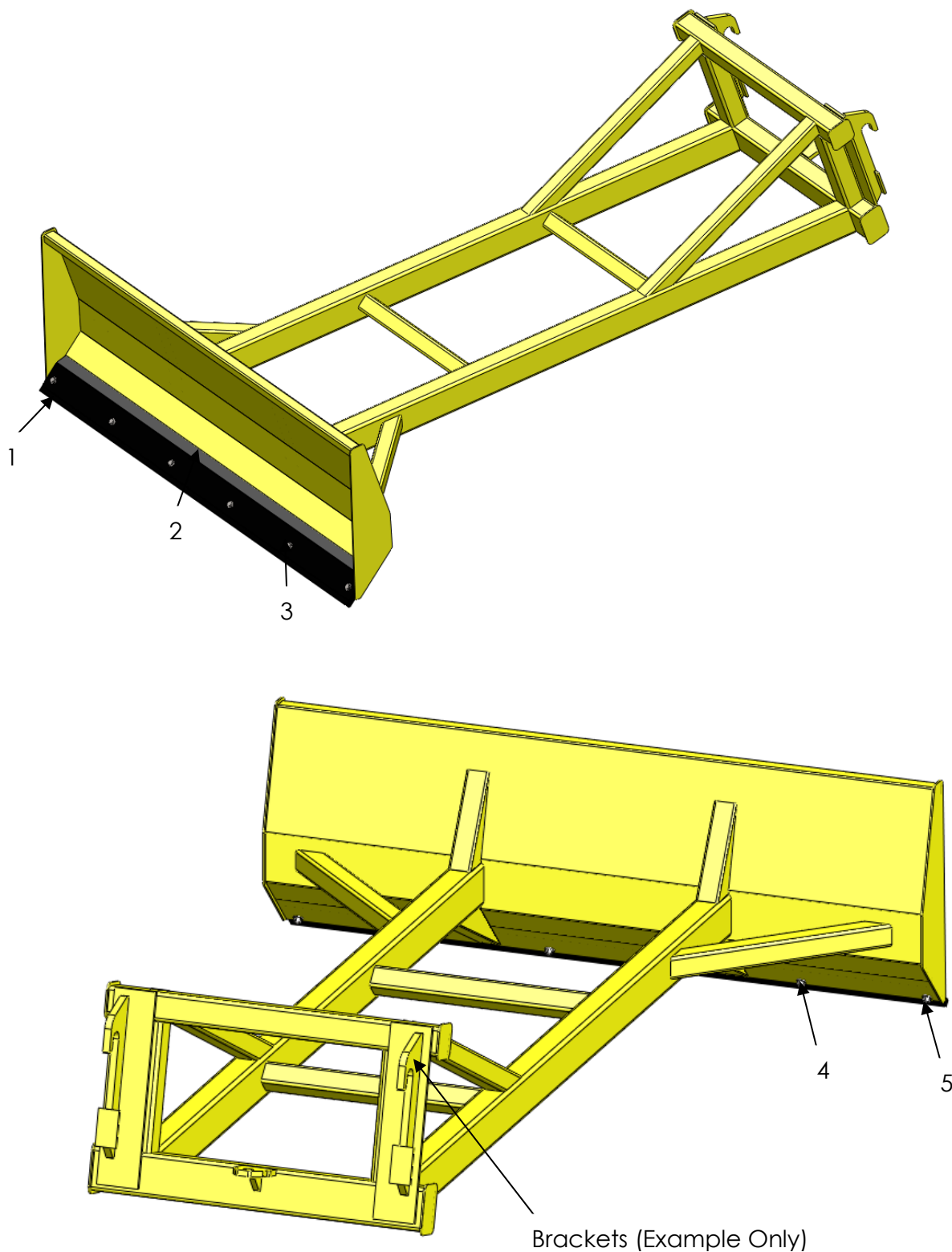
After taking note of the recommended safety instructions in this manual, here are a few other recommendations you will need to follow.

1. Ensure that the Grain Pusher is attached to the forklift/loader correctly and any locking pins are located securely.
2. Ensure that the forklift/loaders hydraulic system is in full working order prior to use.
3. Allow time on first use to get used to the forklift/loader with the implement attached.
4. When shovelling and heaping grain, do not "BURY" the blade in grain and attempt to heap it up. Instead, push up a sensible blade full. A repeated action will give better results rather than trying to do too much at once. This will put unnecessary strain on the forklift/loader and the Grain Pusher and may lead to damage.
5. Manoeuvre around at a very slow pace and ensure that there are no spectators within close proximity.
6. When lowering the blade to the floor, do so gently using the hydraulic system of your forklift/loader. Do NOT allow the blade to suddenly drop from any height. The rubber blade does act as a shock absorber but damage will occur if the Pusher is allowed to drop and is not lowered slowly.
7. When you have finished using the Grain Pusher for any period of time, always lower the blade into contact with the floor and turn off the forklift/loader. Always leave the implement in a careful position as not to cause obstruction to others.
8. SAFETY FIRST: We are all responsible for Health and Safety so please use this implement responsibly.

DO ENJOY USING YOUR STANDARD GRAIN PUSHER & REMEMBER TO LOOK AFTER IT







Full Assembly



Item Number	Part Number	Description	Quantity per Machine
1	GP_RS_001	Rubber Strip	1
2	GP_0301	Rubber Strip Clamp Plate	1
3	M16 x 60	Bolt	6
4	M16 Flat Washer	-	12
5	M16 Nylock	Nut	6

Stickers

Sticker	Part number	Description	Quantity per Machine
	AW_GP_ALS (460mm x 90mm)	Agriweld Sticker	2
	AW_GP_AS (185 mm x 85mm)	Agriweld Sticker	2
	AW_GP_GB (85mm x 50mm)	Great Britain Sticker	1
	AW_180_OM	Read operator manual sticker	1

AGRIWELD

Warranty

Your Agriweld 3M-5M Grain Pusher is covered for a period of 12 months from the date of dispatch (which is recorded on our files) against faulty components and/or bad workmanship.

Our welders are coded to ISO 9606-1 and our welding procedures are approved in accordance with ISO 15614-1 to manufacture your equipment. All products are checked for quality prior to delivery/collection.

We cannot be responsible for claims arising from ignorance, occurrences outside our control, such as accidents, and malicious damage and non-compliance with safety instructions.

Any damage occurred during transit must be reported on signing for the item from the haulier to enable us to enter a claim for damages direct with the haulier.

WARRANTY CLAIMS FOR DAMAGE DURING TRANSIT

Damage occurred during transit via an external haulier must be reported immediately upon unloading and signing for the item. The limit of our liability to undertake repairs to products damaged during transit is dependent on signing for any damaged product upon delivery as "DAMAGED".


AGRI WELD



CE DECLARATION OF CONFORMITY

The equipment which accompanies this declaration is in conformity with EU Directive(s):-

2006/42/EC Machinery Directive

Manufacturer Name:	Agriweld Ltd
Manufacturer Address:	Main Street Garton-on-the-Wolds Driffield East Yorkshire YO25 3ET
Product:	Grain Pusher
Product Options:	All
Individual Serial Number:	
Product Description:	AGRIWELD 3m - 5m Grain Pusher
Date of Last Load Test Report:	N/A
Supplementary Information:	
Authorised Signatory on Behalf of Manufacturer:	
Name of Signatory:	Dawn Foster
Position in Company:	Director
Date of Issue:	