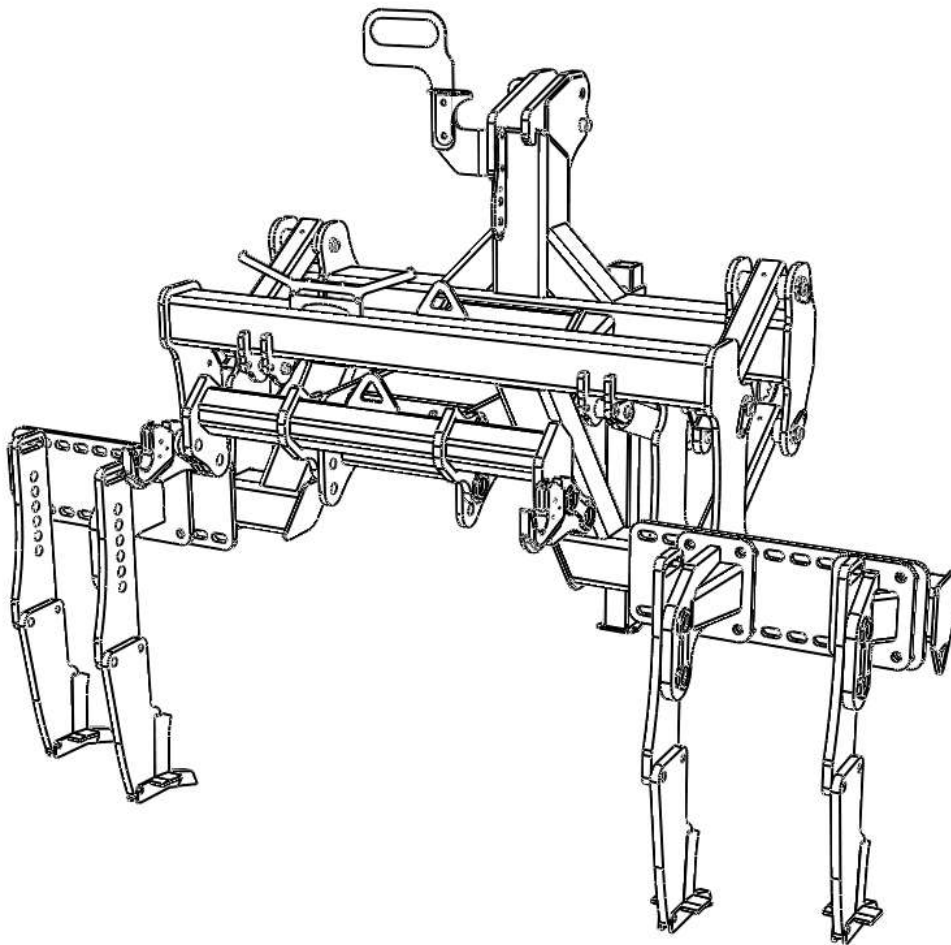


AGRI WELD

OPERATOR MANUAL

PREVENT

Track Eradicator



Contents

Page 3	User Information, Qualification & Training
Page 4	Think Safety
Page 5	Operation & Adjustment
Page 6	Replacing the points & Spare Parts
Page 7	Replacing Shear Bolts
Page 8	Parts list & Road Transport
Page 9	Maintenance, Wearing Parts and Auto Reset
Page 10-11	Main Assembly
Page 12	Stabilising Leg Assembly
Page 13	Stickers
Page 14	Warranty
Page 15	CE Declaration of Conformity

USER INFORMATION

This manual contains basic advice, which should be observed during setting-up, operation and maintenance. It must be read by all personnel who may operate this machine prior to use and be available at all times to each potential operator.

If safety instructions are not complied with, it can lead to the risk of injury to yourself and others as well as damage to the environment or to the machine. Non-compliance to the safety instructions can also lead to claims for damages becoming invalid.

New equipment - be careful!

It is very important to be careful when new equipment is going to be used for the first time. Incorrect mounting of equipment and operational errors can lead to expensive repair work and operational losses.

Your warranty with Agriweld is not valid if the instructions in this operating manual are not followed correctly.

QUALIFICATION AND TRAINING

- Competent personnel may only perform any work on, or with the machine. Statutory minimum age limits must be observed.
- Only trained or instructed staff, with the correct certification or licence to use, operate, set up and maintain this machine should be authorised to do so. Individual responsibilities of personnel concerning operation, setting up, maintenance and repair must be clearly established.
- Define the machine operator's responsibilities – also with regard to observing traffic regulations. The operator must have the authority to refuse any instructions issued by third parties, which contravene safety.
- Persons undergoing training or instruction should not be allowed to work on or with the machine unless they are under the constant supervision of an experienced person.
- The use of spare parts, accessories and ancillary equipment not supplied and/or not approved by Agriweld could have detrimental effects to this machine or its functions and hence impair the active and/or passive driving and/or operational safety (accident prevention).
- Agriweld shall not be liable for any damage caused by the use of spare parts, accessories and ancillary equipment not supplied and/or approved by Agriweld.
- Conversions of, or modifications to the machine may only be carried out after consultation with Agriweld.



SAFETY INSTRUCTION

Read the instruction manual and follow the instructions given.

Take care when hitching up or unhitching the machine to and from the tractor via the linkage

It is forbidden to allow any persons to sit or ride on the implement at any time

The tractor should be fitted with enough front-end weights for stability and to maintain secure steering. This is dependent upon many variables, including those such as ground conditions, working depth and soil type, etc.

Driving, steering and braking characteristics are influenced by mounted machines and ballast weights. The operator must ensure adequate steering and braking ability

Use the tractor's position control when coupling the implement to the tractor.

Do not stand between tractor and implement during connection or while it is being raised/lowered on the tractor linkage.

The tractor's lower link arms should be stabilised before driving on a public road so that the implement and tractor lower link arms do not touch the tyres during transport.

Make sure that all nuts and bolts are always fully tightened.

NEVER stand or work beneath a suspended load unless the full weight of the equipment is supported fully by suitable chocks or stands capable of carrying the implements weight and bulk.

The user is responsible for ensuring the implement complies with the law when driving on public roads and to check each time before taking the implement on the highway that the lights are in full working order.

Always lower the implement when attached to a tractor whilst parked.

ATTACHMENT AND ADJUSTMENT

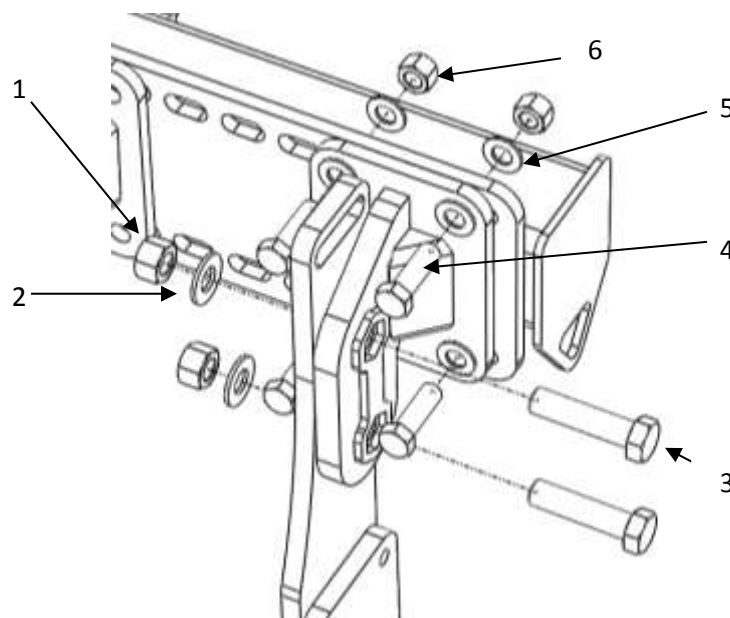
Attach the Prevent to the tractor using the 3 point linkage. Making sure the balls are sat in the hooks correctly and the locking mechanism is applied. This applies for anything attached to the Walterscheid hooks situated at the rear of the Prevent.

Check that all nuts and bolts are firmly tightened and none are missing.

LEG ADJUSTMENT

To change leg spacing's, Loosen off 4 No of M20 Nuts (6) to allow you to slide the socket along the slots situated on the mounting plate. If you require a different position outside the parameters of the slots, Remove 4 No of M20 x 65mm bolts and M20 nuts to allow you to move the leg socket to different slots on the mounting plate.

To change the height of the of the leg in the socket, Loosen and remove 2 No of M24 x 80mm Bolts (3) and M24 Nylocks (1). You can the lift the leg vertically and replace fasteners through holes in the new position and tighten.



Rules of Conduct for Operation

The following points must always be observed before the implement is used and during operation:

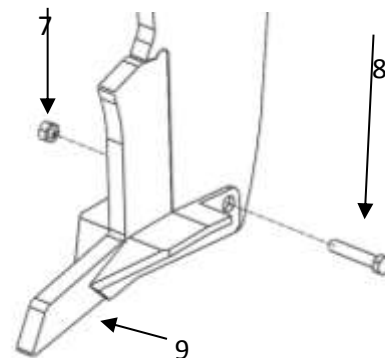
- Never leave the tractor and implement unattended.
- Check the implement regularly for oil leakage (if relevant) Replace defective components immediately.
- Do not use if any parts are found defective.
- Check the implement and remove any dirt accumulation. Keep the implement clean at all times.
- Perform regular maintenance checks to ensure faults are noticed quickly and can be rectified as soon as possible.
- Perform a regular greasing routine. The machine needs to be kept well-greased at all times.

For any components of the machine driven hydraulically, ensure that any defective hose connections are replaced immediately. Do not attempt to repair damaged hoses.

REPLACING THE POINTS

Only personnel with the appropriate experience should perform these changes.

It is only permitted to replace the points on solid ground for e.g. Cement/tarmac, to avoid the risk of sinking and potential injuries whilst performing the changes. The implement must be raised on the tractor linkage and the tractor engine turned off. Remember to use the parking brake and/or wheel chocks to ensure that the tractor is held stable. It is important to support the implements weight with stands/chocks strong enough to support the full weight of the implement in the event of a failure of the tractor hydraulics. Ensure that no one can start the tractor and its hydraulic system accidentally by locking the cab door.



Once you are confident that you have met the safety standards required you can proceed;

Unbolt each worn point in turn to free it from the leg by removing the M10 nylock nut (7) and the M10 x 50mm long bolt (8). The point will be free to remove. A new point can then be replaced into the same position using the same M10 nylock nut and M10 x 50mm long bolt. Ensure the fixings are tight.

For CAST points (provided as standard) ensure that the fixings are NOT over tightened to prevent potential damage and cracking.

When you have finished replacing all required points, remove the supporting chocks/stands and lower the machine as in the Think Safety Section above until it is safe to move off.

Acquiring spare parts

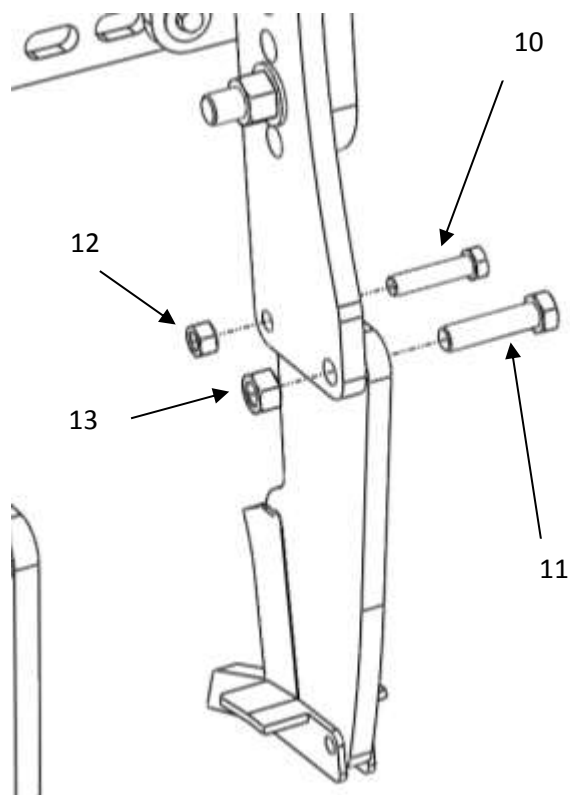
Please quote the details listed on the implements serial plate as well as the machine's serial no. on every enquiry or order for spare parts/ accessories, or for enquiries of a technical nature.

The use of spare parts supplied by other sources shall only be permitted after consultation with the manufacturer. Original spare parts and accessories authorised by the manufacturer (Agriweld Ltd) ensure safe and reliable operation. The use of spare parts supplied by other companies are done so at your own risk.

Replacement of Shear bolts

The two part leg is fitted with a shear bolt (10) that will break when under too much pressure. This will mean the lower leg will pivot back to prevent any components like the leg or anything above the leg from breaking.

If the shear bolt breaks, the leg requires a replacement shear bolt to be fitted through the hole as shown, fastened with an M16 Nylock Nut (12)



Disposing of replaced parts

The following points should be observed before replacing or disposing of parts.

- Replaced parts, which still function, should be cleaned and stored in an orderly manner for re-use.
- Any implement parts, which cannot be repaired should only be disposed of at an appropriate collecting point or be collected by a scrap metal merchant.
- So-called "valuable" materials should be disposed of in the correct and proper way, i.e. plastics, rubber, scrap metal, etc. should be recycled.
- Collect and dispose of old oil in accordance with the current regulations

Parts List

Item Number	Part number	Description	Quantity per machine
1	AW_M24_NL	M24 Nylock Nut	8
2	AW_M24_W	M24 washer	8
3	AW_M24x80_B	M24 x 80 Bolt	8
4	AW_M20x65_B	M24 x 65mm Bolt	16
5	AW_M20_W	M20 Washer	32
6	AW_M20_NL	M20 Nylock	16
7	AW_M10_NL	M10 Nylock	4
8	AW_M10X50_B	M10 x 50mm Bolt	4
9	SW1116	Leg Point	4
10	AW_M16_Prv_SB	Shear bolt	4
11	AW_M20x60_B	M20x60mm Bolt	4
12	AW_M16_NL	M16 Nylock	4
13	AW_M20_NL	M20 Nylock	4

ROAD TRANSPORT RULES

The Department for Transport requires the maximum width of an agricultural machine to be 2.55m. However, under special circumstances Agricultural machines wider than 2.55m are permitted to use public roads. The Road Vehicles Order 2003 permits the road use of Agricultural vehicles that are up to 4.3 metres in width, subject to terms and conditions. The key ones are as follows:

Width – between 2.55m and 3m: speed must not exceed 20mph

Width – between 3m and 3.5m: maximum speed 20mph as above, plus if the journey is over 5 miles or the speed limit in the road is 40mph or lower, the operator must notify the Police in advance of the journey.

Width – between 3.5m and 4.3m: the Police must be notified, the maximum speed is limited to 12mph and the vehicle(s) must be accompanied by an attendant, who may ride in a different vehicle but must ensure no danger is cause to the vehicle or other road users. The police, following notification, may place restrictions on the use of the vehicle in the interests of road safety or to avoid undue traffic congestion



MAINTENANCE

The following areas must be kept greased at all times:

- **AUTO RESET LEG PIVOT POINTS – if applicable**
- **AUTO RESET HYDRAULIC RAM POINTS – if applicable**
- **HYDRAULIC FOLDING PIVOTS – if applicable**
- **PACKER ROLLER BEARINGS (although be careful not to over grease to prevent damage to the bearing seals)**

NOTE: ALL GREASING POINTS ARE CLEARLY MARKED AND VISIBLE ON THE SUBSOILER

Check all bolts and fastenings prior to use for tightness and to ensure none are missing.

WEARING PARTS

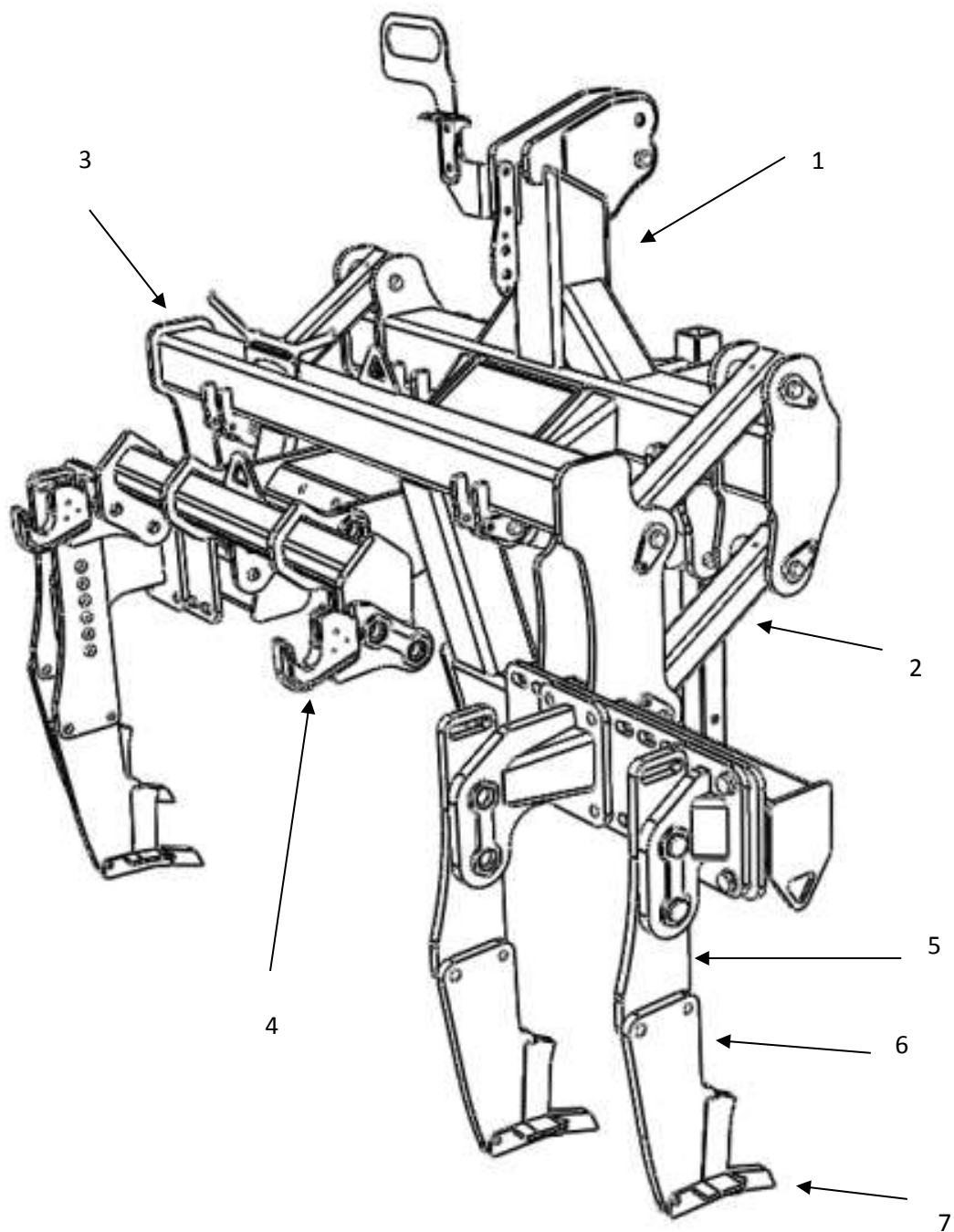
Replace wearing parts before excessive wear causes poor performance and damage to the leg. The wearing parts used on the implement can vary according to the required use although as standard the Prevent is fitted with a low disturbance one-piece MDT 'Low Disturbance' style point. Parts can be obtained through Agriweld Ltd directly or through your local dealer.

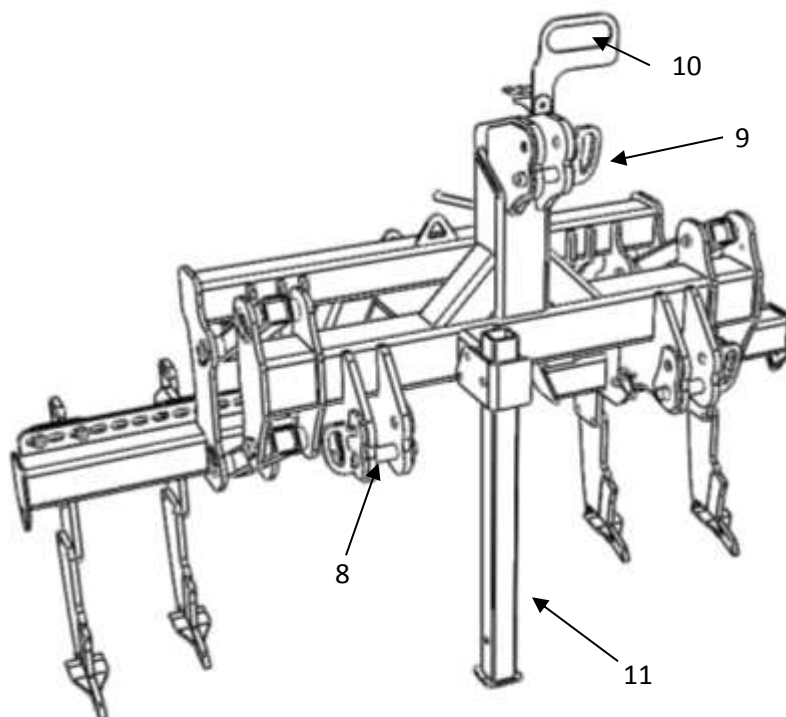
AUTO RESET (Applicable to all auto-reset models only)

The auto reset pressure is set at 45 bars for dispatch. You will need to adjust this setting to your own conditions. If the legs trip too easily the pressure can be increased. If the legs do not trip the pressure will need decreasing. Please see Charging Oil Pressure below for instructions. PLEASE NOTE: The pressure may need adjusting for different working locations as soil conditions can vary.

Prior to use, the pressure should be visually checked to ensure that it has not reduced or whether adjustment is required. The pressure gauge is situated under the headstock on the main frame. If for any reason the pressure has reduced, the machine can still be operated but excessive tripping of the legs may occur and it will need re-charging from the tractor.

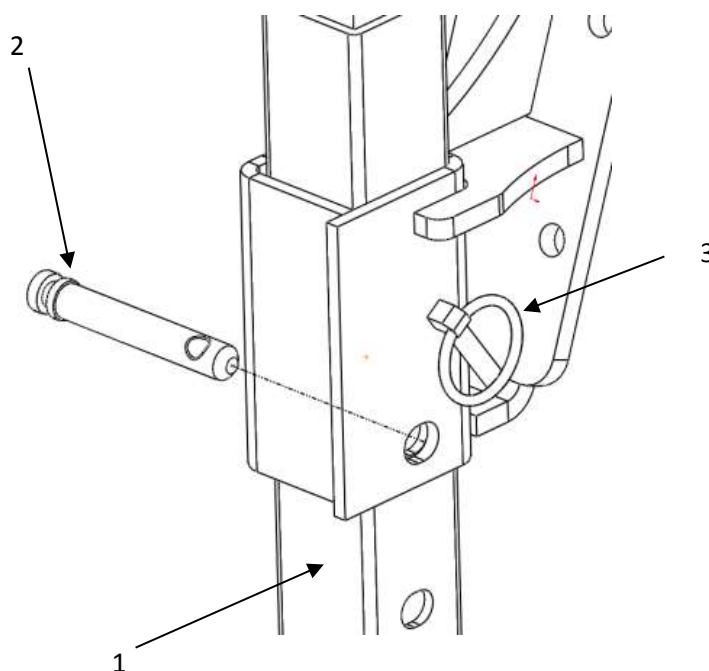
Main Assembly





Item number	Part number	Description	Quantity per machine
1	Main_Frame	Main Frame	1
2	AW_RRTE_PAR01	Parallelogram Unit	4
3	AW_RRTE_Sub_01	Rear Frame Assembly	1
4	AW_RRTE_Sub_02	Rear Hook Assembly	1
5	AW_RRTE_20_UL	Upper Leg	4
6	AW_RRTE_15_LL	Lower Leg	4
7	SW1116	Point	4
8	AW_CAT3_RRTE_LL	Lower link pin	2
9	AW_CAT3_RRTE_TLP	Top link pin	1
10	RR_Lrad_0401	Hose guidance plate	1
11	AW_RRTE_Stand	Stand	1

Stabilising Leg Assembly (Zinc plated stands x 2)



Item number	Part number	Description	Quantity per machine
1	AW_RRTE_Stand	Stands	1
2	20mm Kramp pin	20mm Kramp pin	1
3	11mm Linch pin	11mm Linch pin	1

PRODUCT DECALS

Sticker	Part number	Description	Quantity per machine
	RHINO_AGRI_01	160x110mm Rhino cultivation oval	3
	Green_GB_logo	87X55mm Green made in GB	2
	AW_AWS_S	Agriweld Stencil	1
	AW_OM_S	Read operator manual sticker	2
	AW_TH_S	Trap Hand sticker	4



WARRANTY

Your Agriweld PREVENT, Track Eradicator is covered for a period of 12 months from the date of dispatch (which is recorded on our files) against faulty components and/or bad workmanship.

Our welders are coded to ISO 9606-1 and our welding procedures are approved in accordance with ISO 15614-1 to manufacture your equipment. All products are checked for quality prior to delivery/collection.

We cannot be responsible for claims arising from ignorance, occurrences outside our control, such as accidents, and malicious damage and non-compliance with safety instructions.

Any damage occurred during transit must be reported on signing for the item from the haulier to enable us to enter a claim for damages direct with the haulier.

WARRANTY CLAIMS FOR DAMAGE DURING TRANSIT

Damage occurred during transit via an external haulier must be reported immediately upon unloading and signing for the item. The limit of our liability to undertake repairs to products damaged during transit is dependent on signing for any damaged product upon delivery as "DAMAGED".



CE DECLARATION OF CONFORMITY

The equipment which accompanies this declaration is in conformity with EU Directive(s):-

2006/42/EC Machinery Directive

Manufacturer Name:	Agriweld Ltd
Manufacturer Address:	Main Street Garton-on-the-Wolds Driffield East Yorkshire YO25 3ET
Product:	Prevent
Product Options:	All options
Individual Serial Number:	
Product Description:	Agriweld Prevent track eradicator with Waltershied rear hooks.
Date of Last Load Test Report:	N/A
Supplementary Information:	
Authorised Signatory on Behalf of Manufacture:	
Name of Signatory:	Dawn Foster
Position in Company:	Director
Date of Issue:	