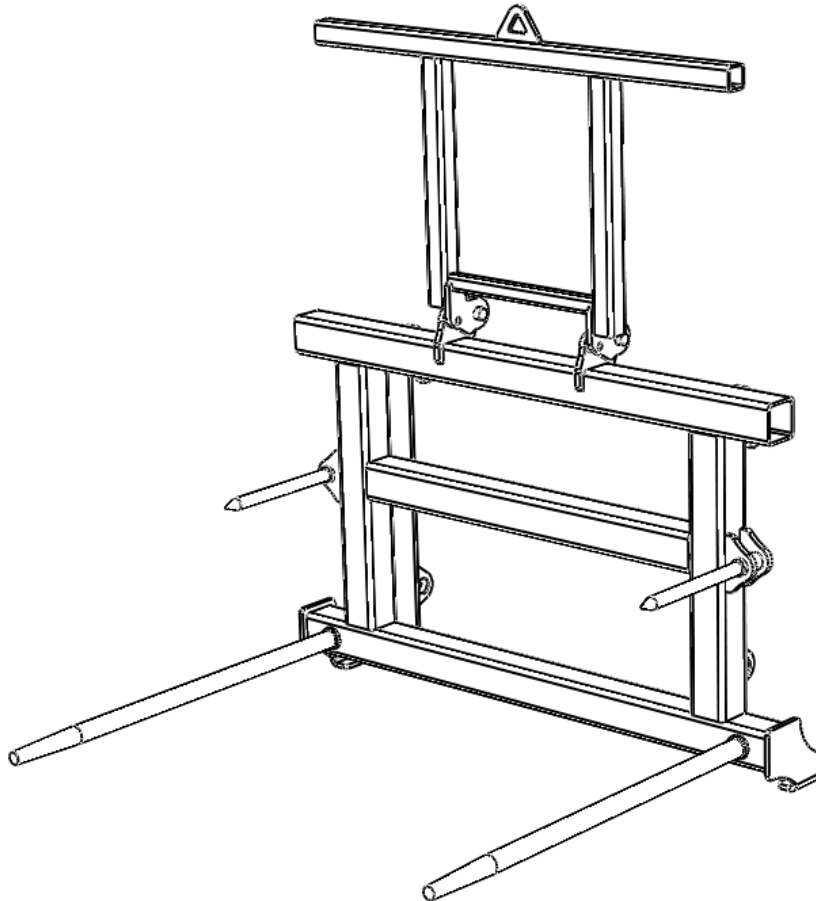


# AGRI WELD

## Operator Manual

Round bale spike with removable  
support



AGRI WELD

[www.agriweld.co.uk](http://www.agriweld.co.uk)

The Workshops  
Main Street  
Garton-on-the-Wolds  
Drifffield, YO25 3ET  
Tel: 01377 259140  
Fax: 01377 259141  
Email: [sales@agriweld.co.uk](mailto:sales@agriweld.co.uk)

## Contents

<b>Page 3</b>	User Information & Getting Started
<b>Page 4</b>	Dangers, operating errors and exemption from liability
<b>Page 5</b>	Important Safety Instructions
<b>Page 6</b>	Full Assembly
<b>Page 7</b>	Full Assembly Parts List
<b>Page 8</b>	Forklift Brackets
<b>Page 9 - 10</b>	Risk Assessments
<b>Page 11</b>	Stickers
<b>Page 12</b>	Warranty
<b>Page 13</b>	CE Declaration of Conformity

## User information

Before first use, it is important for all operators to make themselves familiar with the implement and must read this OPERATOR MANUAL and SAFETY INSTRUCTIONS

## Getting started

The Bale Spike will be fitted with the correct quick hitch brackets to suit the forklift/loader it is intended to fit together with the correctly swaged hydraulic pipes and fittings applicable to your forklift/loader (if relevant to your model). If hydraulic pipes or fittings are damaged they must be replaced immediately with NEW pipes and fittings. DO NOT ATTEMPT TO REPAIR HYDRAULIC PIPES OR ALLOW ANY ONE ELSE TO REPAIR THEM.

**UNIT WEIGHT: 200 Kgs (Approximate due to different bracketing options)**

**MAX CAPACITY: 2000Kgs** (If attached to a forklift or loader with a lower capacity, the bale spike is automatically down rated to that of the fork lift/loaders maximum capacity).

**Please refer to the SERIAL PLATE attached to your Bale Spike as the weight is relative to the model of your spike and any modifications made as per your order in relation to the standard specification.**

**NOTE: During use, please be aware of increased weight due to shock loading. This includes performing manoeuvres such as driving down a rough field, at some speed, loaded with bales. The resulting bouncing effect is known as shock loading and normal bale weight can be significantly magnified to the point of overload.**

The Bale Spike is not to be used for any other purpose than for which it is intended - **It is not to be used as a fork lift.** Damage to the unit resulting from overload will not be covered under a warranty or liability claim.

The specifications, descriptions and illustrations in this manual are accurate at the time of publication but may be subject to change.

## Safety

All operators of the forklift/loader and bale spike must hold the appropriate forklift licence or certificate of competence to do so. Any warning signs/instructions on the machine provide important information and must be observed.

All operators must be familiar with the Bale Spike Operator Manual and forklift/loader operations prior to use. If safety instructions are not observed and complied with it can lead to the risk of injury to the operator and others as well as damage to the machine, property and the environment. Non-compliance to the safety instructions can lead to claims for damages/injury becoming invalid.



### **Dangers, operating errors and exemption from liability**

1. No responsibility will be accepted for possible dangers arising from operations complying with the designated use.
2. Damage to bales particularly vulnerable to damage during processing cannot be entirely ruled out. Weather conditions, the quality of the produce and many other circumstances beyond our or the operator's control have an influence on the vulnerability to damage of the produce being processed. Many circumstances can have an influence on the vulnerability to damage of produce and these examples are not exhaustive.
3. Agriweld shall not be liable for any damage to agricultural produce and other items, which occurs as a result of normal operating, adjustments errors or other incorrect usage.
4. Agriweld accepts no liability for any damage caused as a result of operations not complying with the designated use of the machine. This also applies to damage to agricultural produce caused by certain external influences, which cannot be avoided with the current state of the art.

**TRANSPORT SAFETY NOTE: For transport of this bale spike on the public highway, the spikes require suitable covering, or removing in order to protect other road users.**

### **Qualification & training**

Only personnel with the appropriate forklift/loader licence are authorised to use this machine.

Statutory minimum age limits must be observed and reliable personnel only should perform maintenance/work on this machine.

Persons undergoing training or instruction or taking part in a general training course should only use this machine under direct supervision of an experienced and trained person.

Agriweld shall not be responsible for any damage/injury caused by the use of parts/repairs not supplied and/or approved by Agriweld.

Check round the machine for any noticeable damage, or missing parts before starting work.

It is advisable that the operator does not wear jewellery and loose-fitting clothing to avoid the risk of snagging and trapping.

Ensure that you are working in an area clear of obstructions and watch out for wandering individuals (particularly children!).



### **Important Safety Instructions**

Take extra care when attaching the Bale Spike to the forklift/loader to ensure that it is attached correctly via the bracketing and hydraulic fittings.

Ensure that the forklift/loader and its hydraulic system is in full working order.

Never allow any person to stand between the forklift/loader and the Bale Spike during connection or at any time.

Never exceed the permissible weight of the bales for handling.

Take into account the protrusion of the Bale Spike and its tines when manoeuvring around and take particular care when approaching junctions and negotiating corners. Alter your speed accordingly during manoeuvres.

The driving characteristics of the forklift/loader are influenced and altered by the attachment of mounted machines and it is important to ensure adequate steering and braking ability as required.

Adjust the height of the bale spike when carrying bales so that visibility is at the most optimum. Be aware of any overhead cables and obstructions to avoid collision.

During use, keep the forklift/loaders headstock tilted slightly back to keep the weight of the load against the bale spike frame so that there is less chance of the bales sliding off the spikes.

Never allow any person to sit or ride on the Bale Spike at any time

Never perform any adjustments to the Bale Spike whilst mounted, unless the forklift/loader is stopped, turned off and the Bale Spike is resting on the ground where possible.

Ensure that the forklift/loader cannot roll away by use of a park brake or wheel chocks.

Never allow any person to stand or work beneath a suspended load.

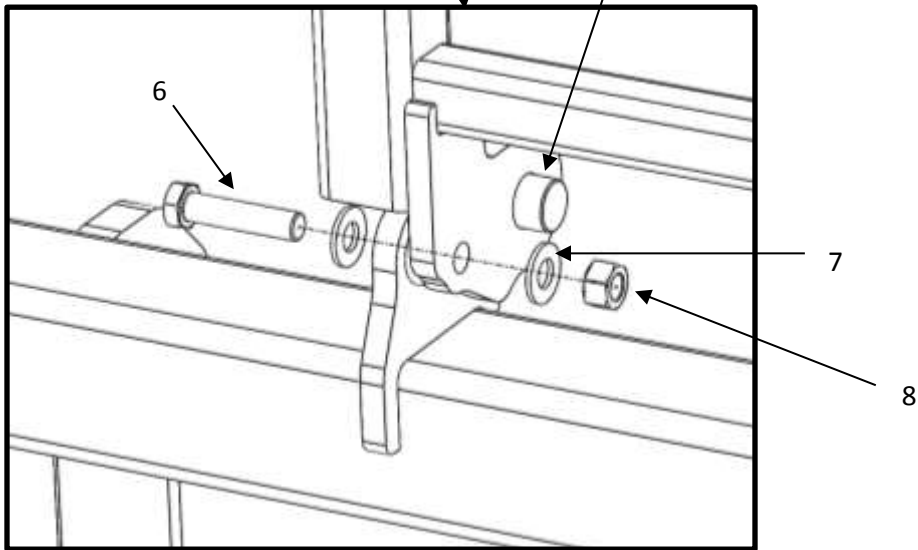
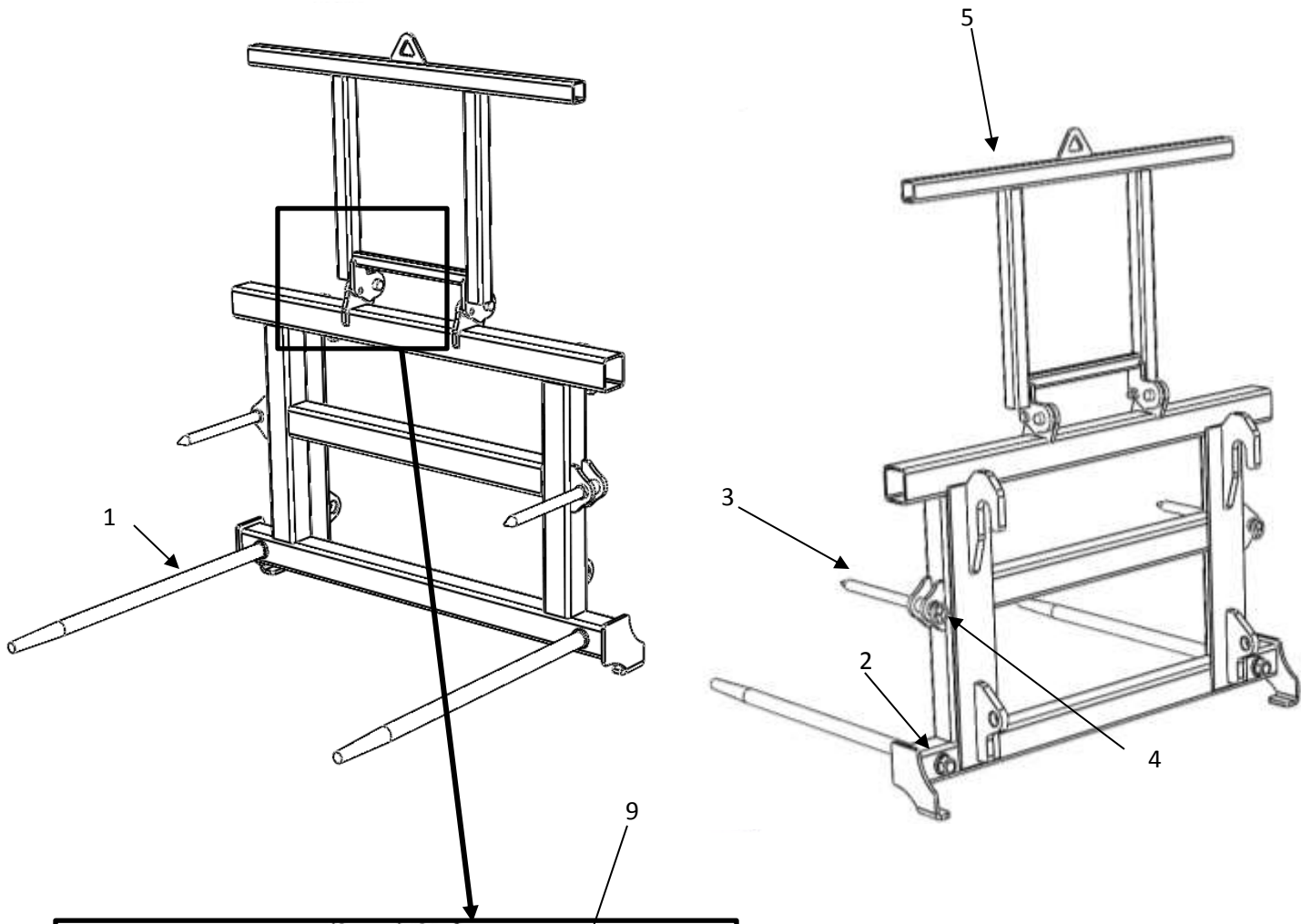
Keep clear of the unit whilst under operation to prevent injury.

It is not advisable to travel on the public highway, loaded with bales for more than a short distance.

Always store your bale spike when not in use in an upright position and in an area where it will not cause obstruction.



**FULL ASSEMBLY**



To Remove the Bale spike frame extension (5) you must first remove the Nuts (8) and Bolts (6) from the location shown in the illustration to the left. The frame extensions (5) will lift off the main frame (4).

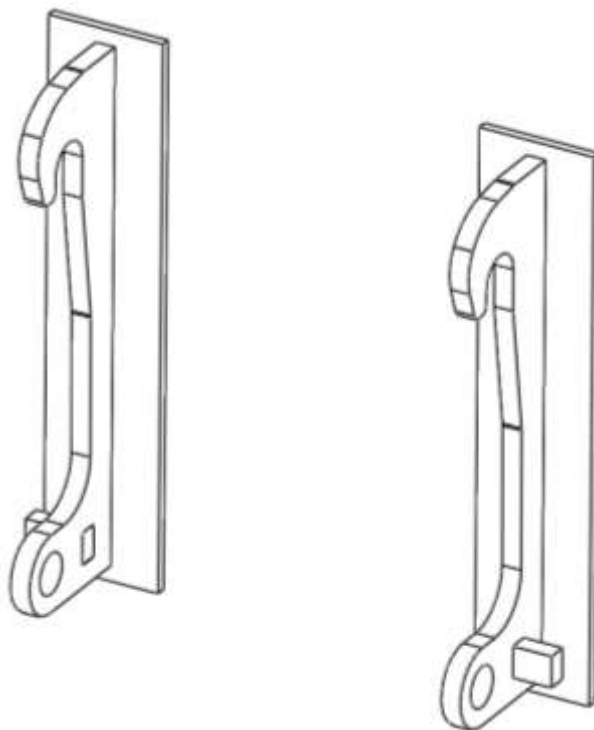
When re-fitting the frame extension, locate the frame (5) onto the locating pins (9) and replace Nuts (8) and Bolts (6) in their original position.



**PARTS LIST**

<b>Item Number</b>	<b>Part Number</b>	<b>Description</b>	<b>Quantity per Machine</b>
1	AW_RBS_1250BS	Straight Bale Tine	2
2	4045	M30 Tine Nut	2
3	AW_400_LS	Upper Spike	2
4	AW_LP11Z	Upper Spike Linch Pin	2
5	AW_BSTF	Top Spill Frame	1
6	AW_M16_50	Top Spill Frame Bolt	2
7	AW_M16W	Top Spill Frame Washer	8
8	AW_M16_N	Top Spill Frame Nut	2
9	-	Locating Pins	2

## FORKLIFT BRACKETS



Weld on Brackets illustrated to fit CAT (example only).



## BALE SPIKE Risk Assessment

Date risk assessment completed – February 2019 – to review again in 1 year (or sooner if required).  
 Organisation name: Agriweld Ltd

**MACHINERY TYPE:** Twin Round Bale Spike attachment for forklift/loader






**Description:** A twin bale spike intended for round bales but not confined to this type. Specifically for use when attached to a forklift/telehandler or tractor loader. Intended to move and carry 3 round bales with a maximum lift capacity of 2000kgs (or capacity of loader if less than this)



What are the hazards?	Who might be harmed and how?	Risk evaluation Levels 1-5 (1 = Low risk, 5 = High risk)	Precautions in place	Further action required/notes?
Collision with other objects and people when moving bales machines	Bystanders/other equipment & buildings	2/3	Operator manual states the following cautions: Notice to remind operator to watch out for wandering individuals particularly children. All operators must have experience and hold appropriate license to drive the forklift/loader and use this equipment. Advised to take into account size of the bale spike and load when manoeuvring. Operators advised not to use the spike to transport bales on the public highway.	<b>To add to operator manual:</b> Raise/lower the spike when loaded with bales to a height where visibility is optimum for manoeuvring. Speed of travel should be adapted to suit conditions and load attached to the spike.
Risk of Stab/Puncture/Impalement when manoeuvring without bales attached	Bystanders and other individuals nearby.	3	Bale spikes painted in different colour to main frame for increased visibility. Refer to operator manual for removing tines or suitably covering for travel on public highways. Operator manual states only trained personnel must use the loader and bale spike for safety	
Loss of stability when freestanding and falling over causing upwardly protruding spikes	Operator/Bystanders	2	Bale spike has full stability when free standing and the tines will sit horizontally and flat to the ground. The design of the spike ensures that it cannot lean back and force the tines into a dangerous position.	<b>To add to operator manual:</b> Operator to ensure that the spike is left in its upright position when not in use in an area that does not cause obstruction.

What are the hazards?	Who might be harmed and how?	Risk evaluation Levels 1-5 (1 = Low risk, 5 = High risk)	Precautions in place	Further action required/notes?
Trapping/crushing whilst connecting/disconnecting bale spike to forklift/loader	Operator/Bystanders	2	<p>Low risk to operator of crushing/trapping due to single man connection/disconnection.</p> <p>Operator does not need to leave the cab during connection/disconnection of bale spike to forklift/loader (unless brackets on forklift require a manual locking pin to secure the implement).</p> <p>Risk to bystanders being crushed/trapped between forklift/loader and bale spike during connection/disconnection. Note in operator's manual about being aware of wandering individuals, particularly children. Operators must be experienced and hold appropriate license to use</p>	
Slip/Trip/Fall during use or maintenance	Operator	1	<p>Low maintenance routine &amp; general use of implement does not require the machine to be stood/climbed on. Users advised not to climb on the implement is stated in the operator's manual</p>	
Overloading bale spike/forklift	Operator/bystander. By not conforming to maximum safe working load for implement and/or forklift or loaders capacity.	2	<p>Product serial plate and operator manual states maximum load capacity of the implement.</p> <p>Experienced users should be aware of conforming to safe working loads. Operator manual states not to overload implement and about accidental overloading or 'shock loading'</p>	<p><b>To add to operator manual:</b> If forklift capacity is lower than the implements capacity, the implements capacity is reduced to the same as the capacity of the forklift/loader.</p>
Spikes becoming loose and coming away from frame during use	Bystanders and general public/other property	1	<p>Conus 2 tines and bushes used which are checked for tightness prior to dispatch.</p> <p>Note in operator manual states to ensure that these are checked for tightness prior to each use and re-tightened if required</p>	
Bales falling off the bale spike	Bystanders and property	2	<p>Operator manual states that only qualified/experienced personnel are allowed to use the forklift/loader with bale spike attached and therefore should be aware of safe operating procedures.</p> <p>Note in operator manual advises tilting the headstock back slightly to keep the bales held against the frame and therefore more unable to slide off. Operators advised in the operator manual to drive at appropriate speed during use.</p>	

**STICKERS**

Sticker	Part number	Description	Quantity per Machine
	AW_BS_ALS (460mm x 90mm)	Agriweld Sticker	2
	AW_BS_ASS (185 mm x 85mm)	Agriweld Sticker	1
	AW_BS_GB (85mm x 50mm)	Great Britain Sticker	2
	AW_BS_AS	Agriweld Stencil	1
	AW_OM_ST	Operator Manual Sticker	1



## **WARRANTY**

Your Agriweld TWIN Bale Spike is covered for a period of 12 months from the date of dispatch (which is recorded on our files) against faulty components and/or bad workmanship.

Our welders are coded to ISO 9606-1 and our welding procedures are approved in accordance with ISO 15614-1 to manufacture your equipment. All products are quality control checked prior to delivery/collection.

We cannot be responsible for claims arising from ignorance, occurrences outside our control, such as accidents, and malicious damage and non-compliance with safety instructions.

Any damage occurred during transit must be reported on signing for the item from the haulier to enable us to enter a claim for damages direct with the external transport company.

### **WARRANTY CLAIMS FOR DAMAGE DURING TRANSIT**

**Damage occurred during transit via an external haulier must be reported immediately upon unloading and signing for the item. The limit of our liability to undertake repairs to products damaged during transit is dependent on signing for any damaged product upon delivery as "DAMAGED"**

**Thank you.**



## CE DECLARATION OF CONFORMITY

The equipment which accompanies this declaration is in conformity with EU Directive(s):-

**2006/42/EC Machinery Directive**

Manufacturer Name:	Agriweld Ltd
Manufacturer Address:	Main Street Garton-on-the-Wolds Driffield East Yorkshire YO25 3ET
Product:	Round bale spike with removable support
Product Options:	All models
Individual Serial Number:	
Product Description:	<b>TWIN Round Bale Spike</b> <b>Max capacity (SWL)P: 2000kgs</b> <b>Weight: Approx. 200kgs</b>
Date of Last Load Test Report:	N/A
Supplementary Information:	
Authorised Signatory on Behalf of Manufacturer:	
Name of Signatory:	Dawn Foster
Position in Company:	Director
Date of Issue:	