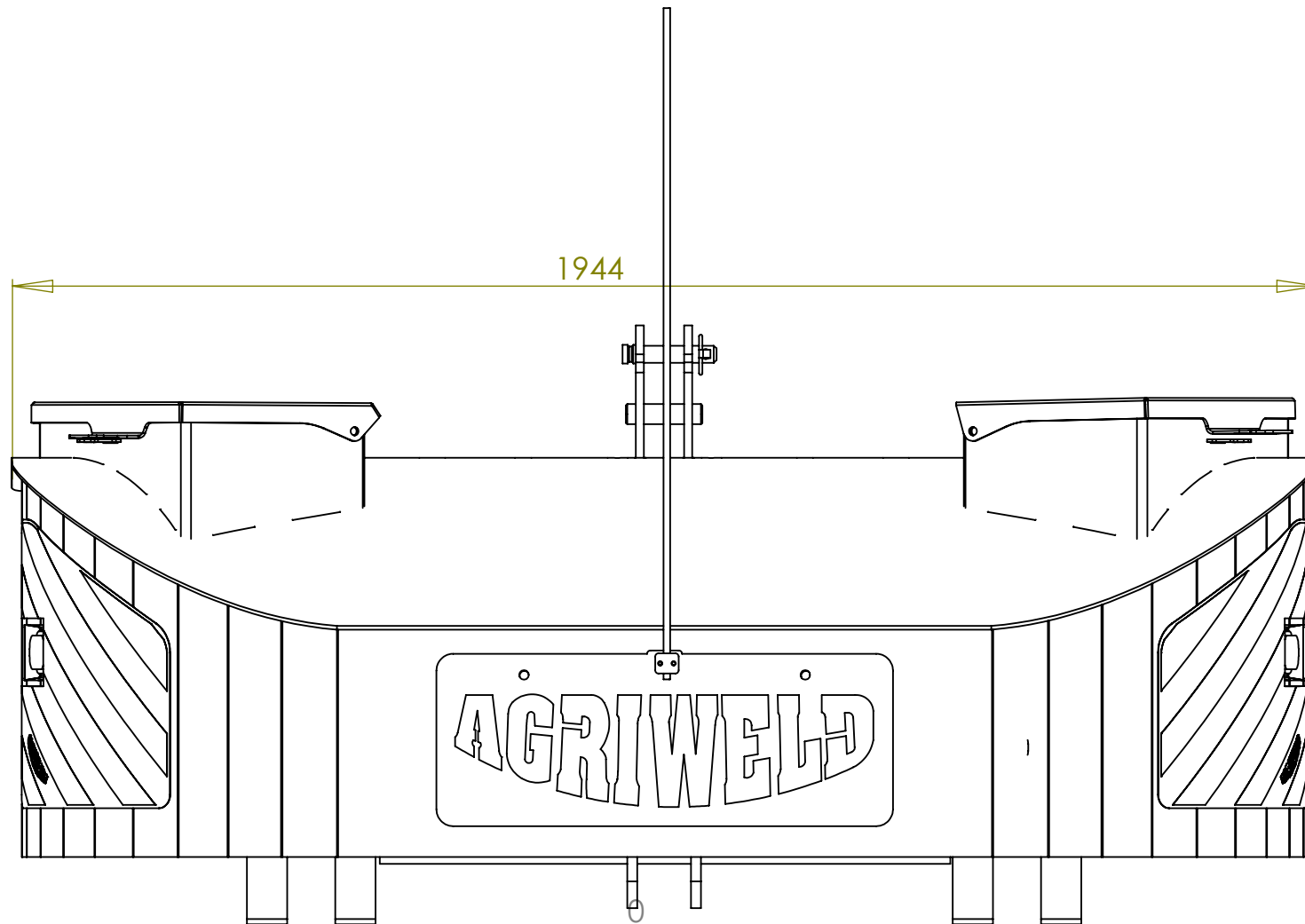
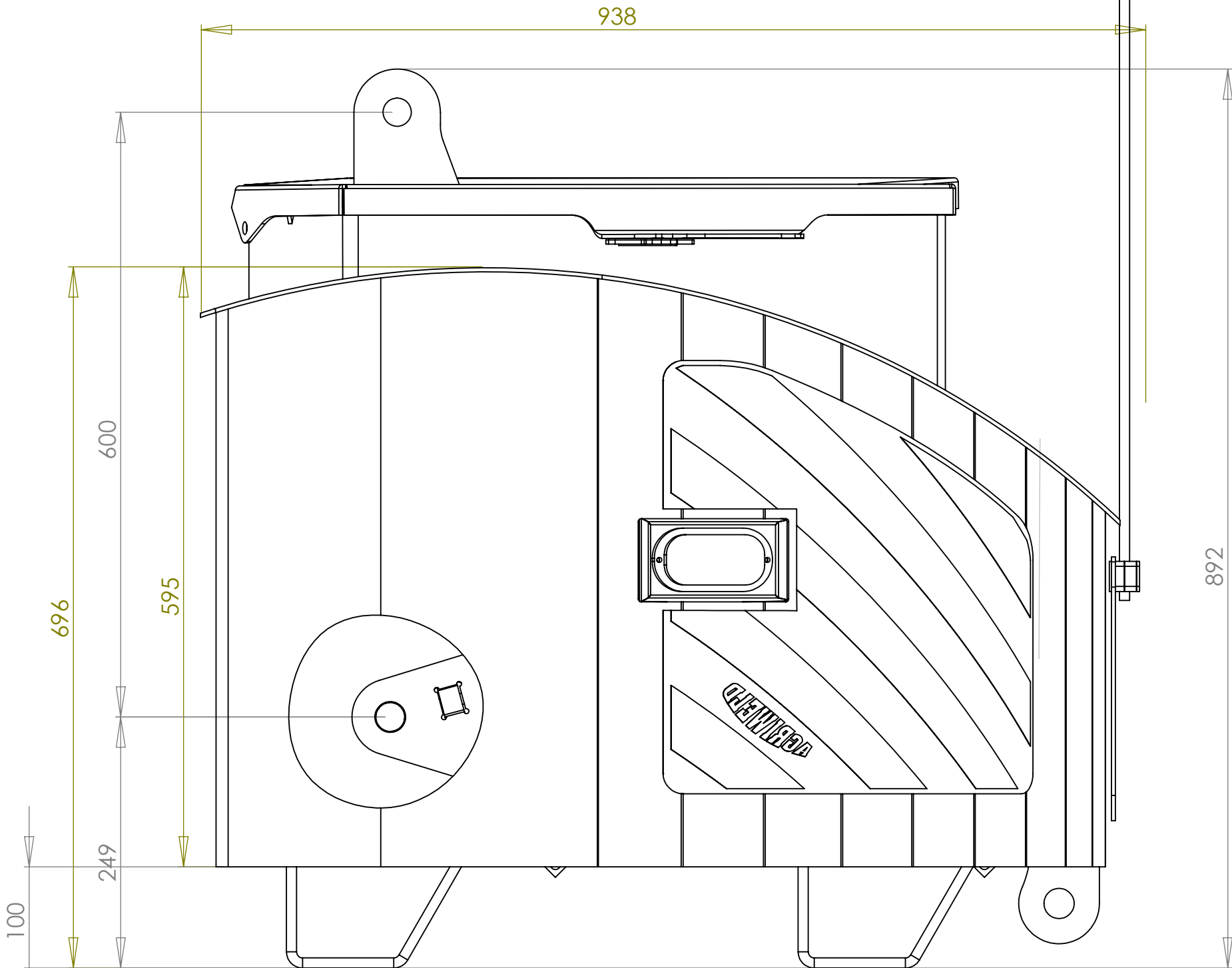
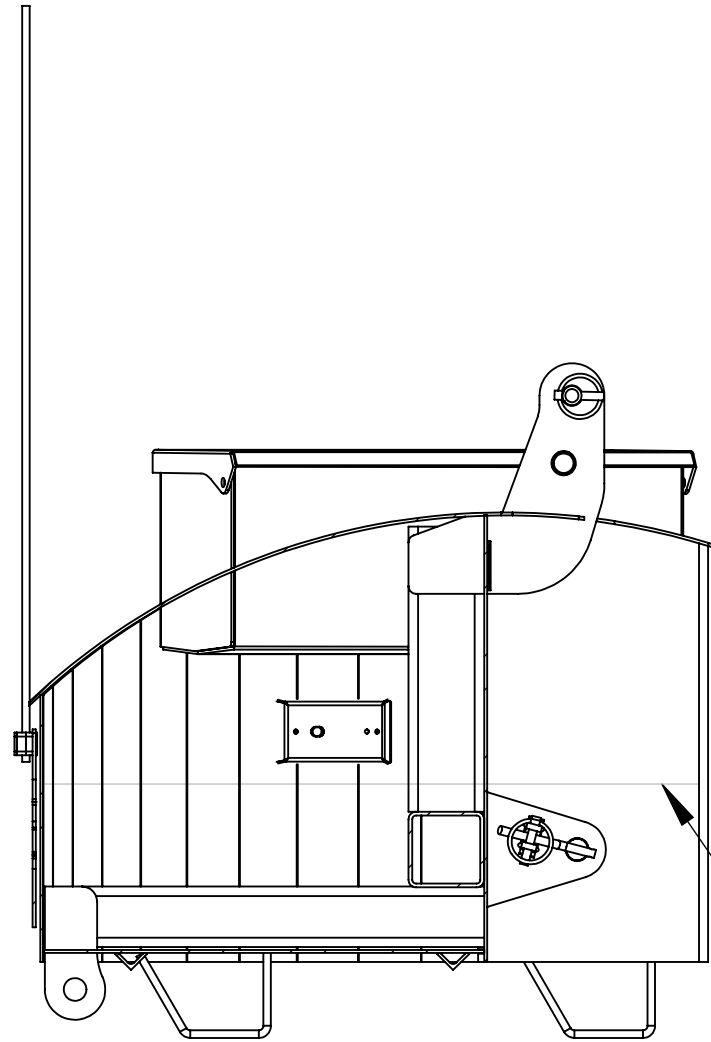


Variweight Model







concrete fill
level with a
base weight
of 700kg